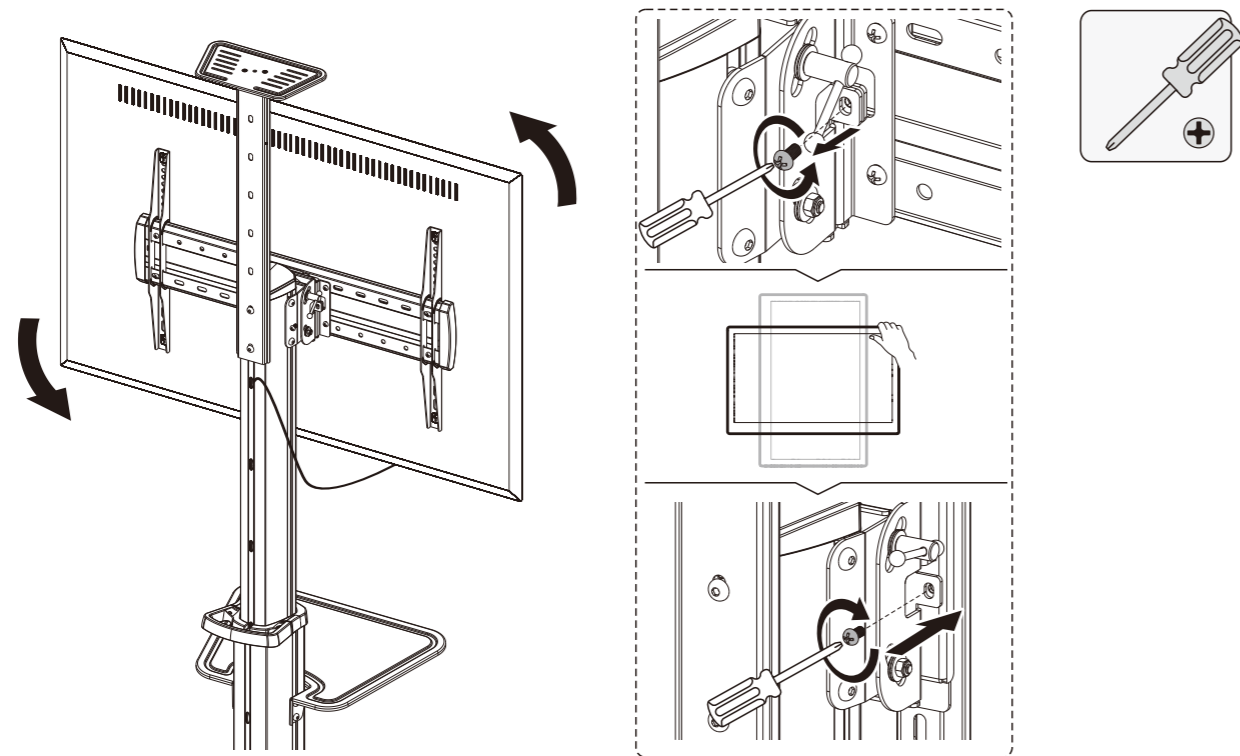
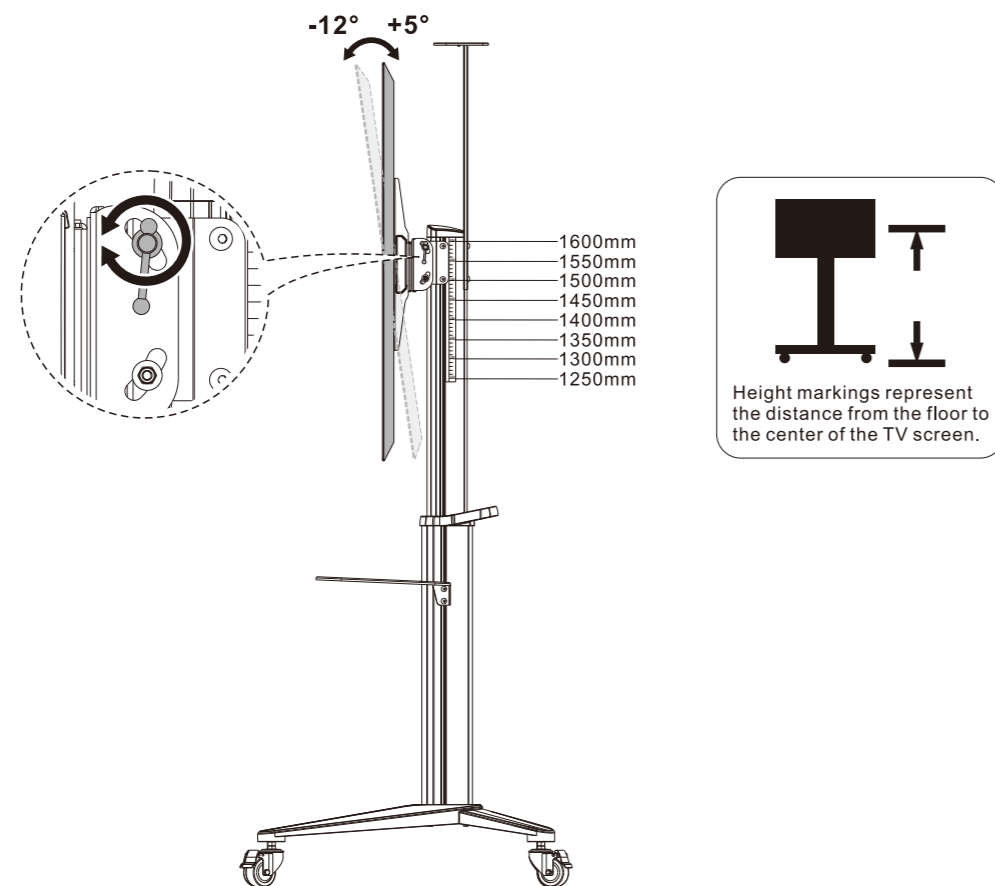


11. TV Orientation



12. Adjustment



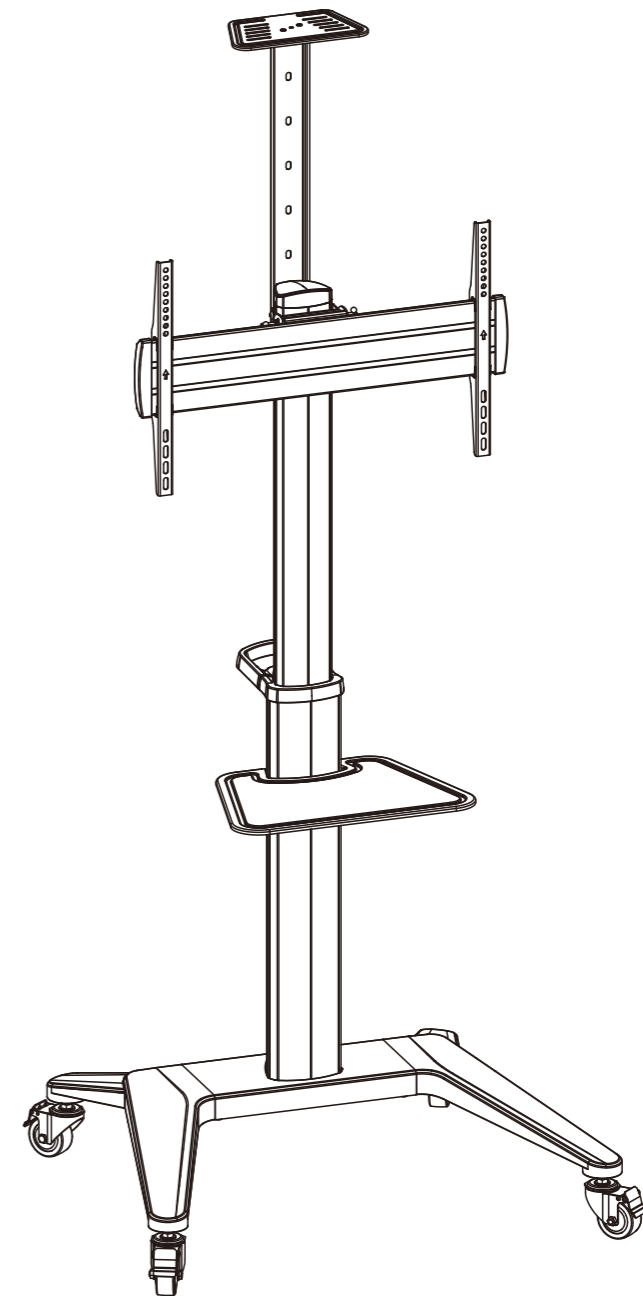
Maintenance

- Check if the bracket is secure and safe to use at regular intervals(at least every three months).
- Please contact your distributor if you have any questions.

KONIC

Instruction Manual

TV CART



KN-TR2246TW


VESA Compatible
200x200 300x200 400x200
300x300 400x300
400x400 600x400

70"
MAX
FLAT

TV
RATED
70kg/154lbs

DVD
RATED
5kg/11lbs

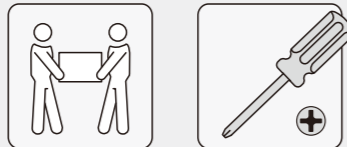
CAMERA
RATED
5kg/11lbs

 **Read the entire instruction manual before you start installation and assembly. If you have any questions regarding any of the instructions or warnings, please contact your local distributor for assistance.**

CAUTION

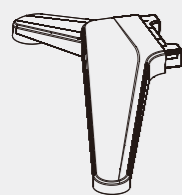
- Use with products heavier than the rated weights indicated may result in instability causing possible injury.
- Please closely follow the assembly instructions. Improper installation may result in damage or serious personal injury.
- Safety gear and proper tools must be used. This product should only be installed by professionals.
- Make sure that the supporting surface will safely support the combined weight of the equipment and all attached hardware and components.
- Use the mounting screws provided and **DO NOT OVER TIGHTEN** mounting screws.
- This product contains small items that could be a choking hazard if swallowed. Keep these items away from children.
- This product is intended for indoor use only. Using this product outdoors could lead to product failure and personal injury.

Requirement for Installation

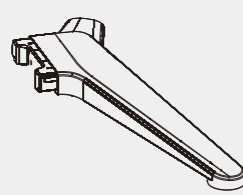


Component Checklist

IMPORTANT: Ensure that you have received all parts according to the component checklist prior to installation. If any parts are missing or faulty, contact your place of purchase for a replacement.



left leg
A (x1)



right leg
B (x1)



cross bracket
C (x1)



caster
D (x4)



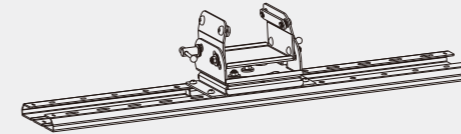
lower column
E (x1)



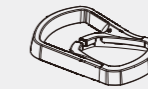
upper column
F (x1)



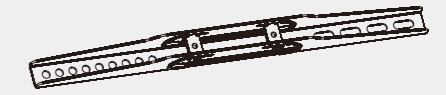
AV equipment shelf
G (x1)



mounting plate assembly
H (x1)



handle
I (x1)



TV bracket
J (x2)



connecting bracket
K (x1)



camera shelf
L (x1)



end cap
M (x2)



top cover
N (x1)



cable cover
O (x8)

Package P



washer
P-A (x4)



M8x80
P-B (x4)



M8x20
P-C (x12)



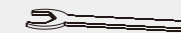
M6x12
P-D (x4)



M5x8
P-E (x2)



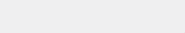
M6 wrench
P-F (x1)



M12 wrench
P-G (x1)



5mm Allen key
P-H (x1)



6mm Allen key
P-I (x1)

Package M



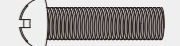
M5x14
M-A (x4)



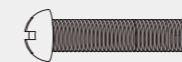
M6x14
M-B (x4)



M6x30
M-C (x4)



M8x30
M-D (x4)



M8x50
M-E (x4)



washer
M-F (x4)

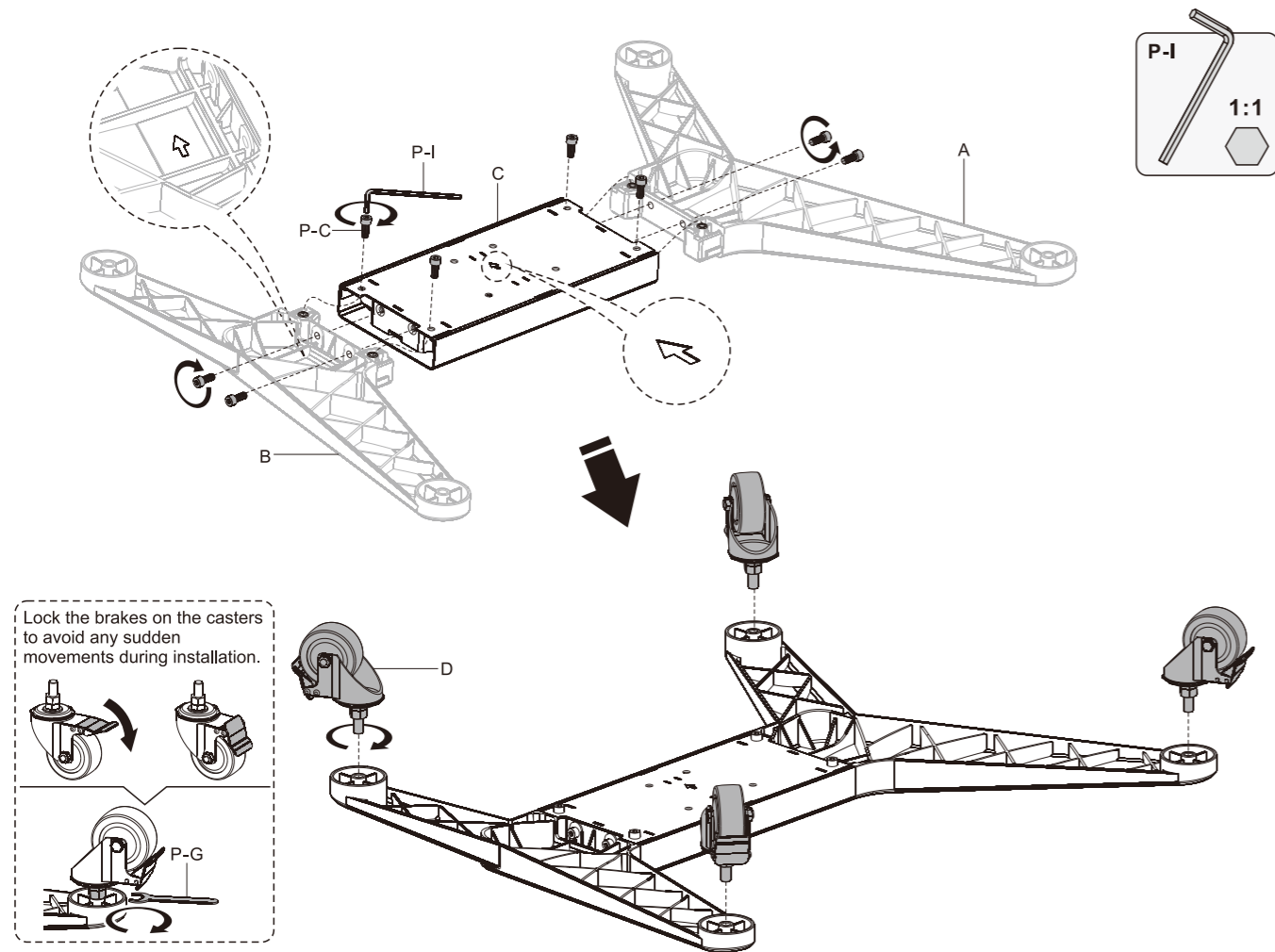


small spacer
M-G (x8)

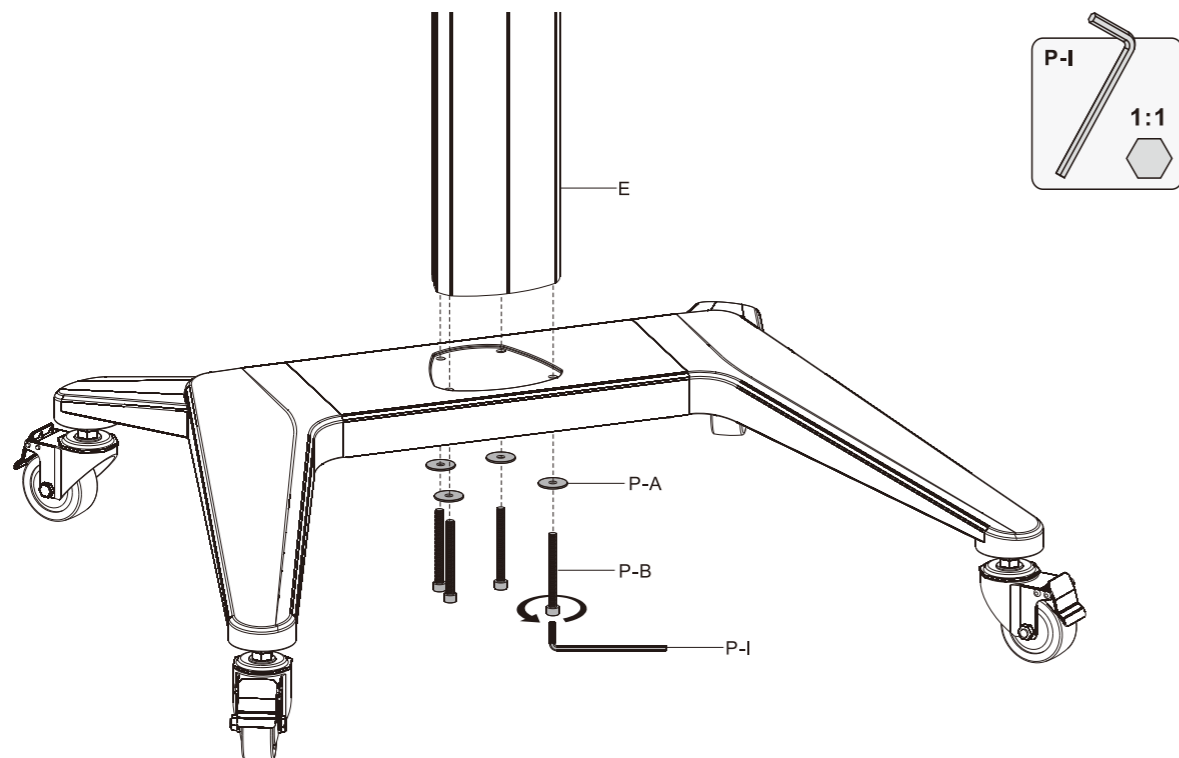


big spacer
M-H (x8)

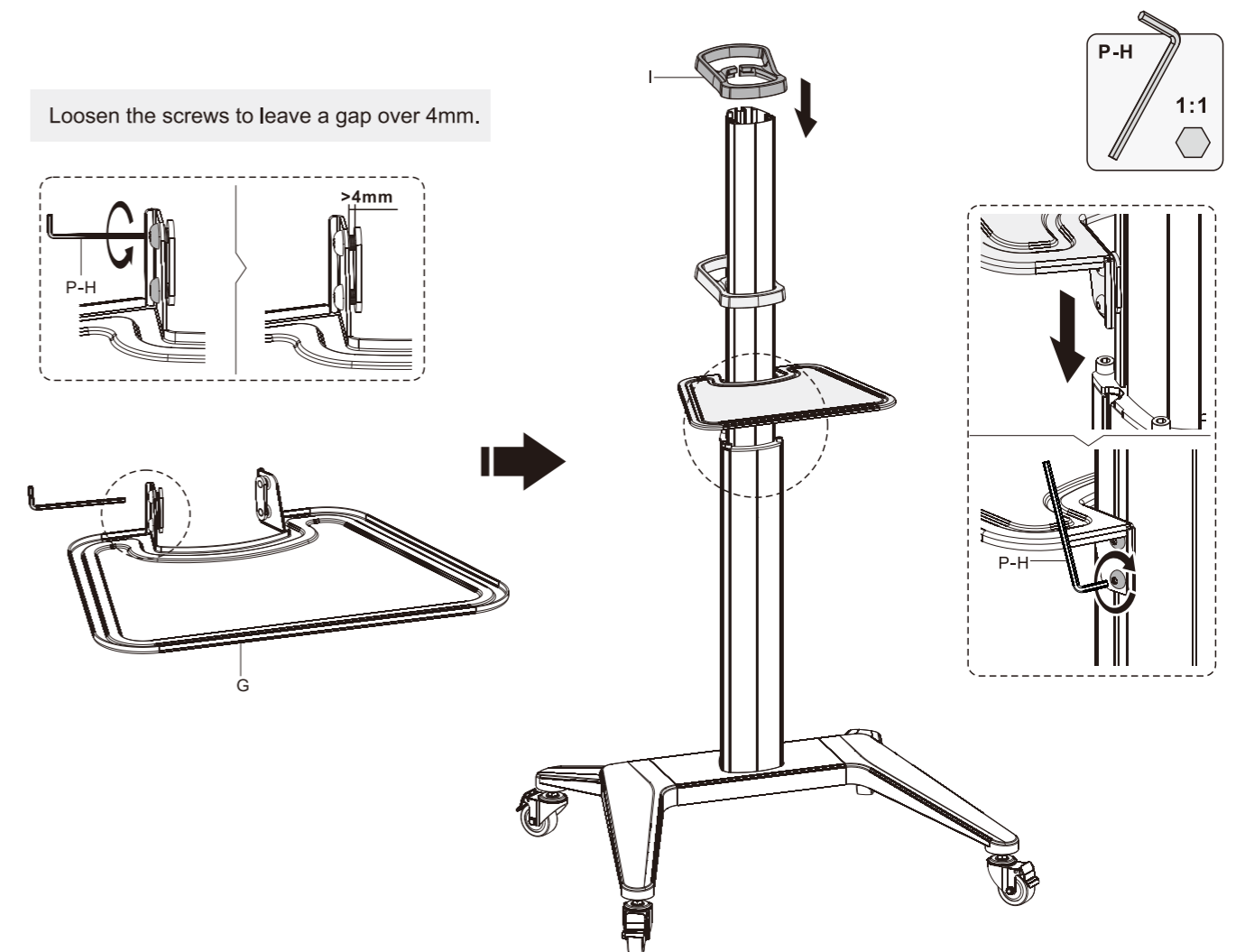
1. Assemble the Base



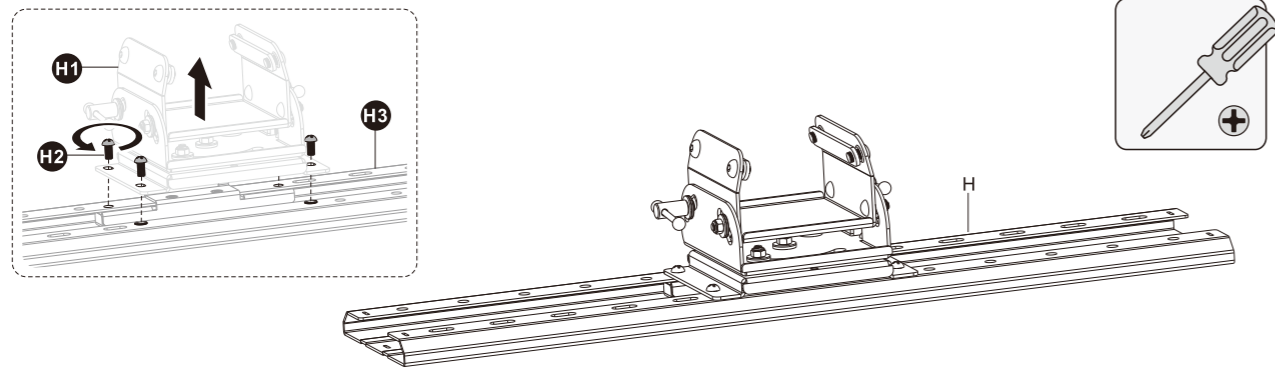
2. Assemble the Columns



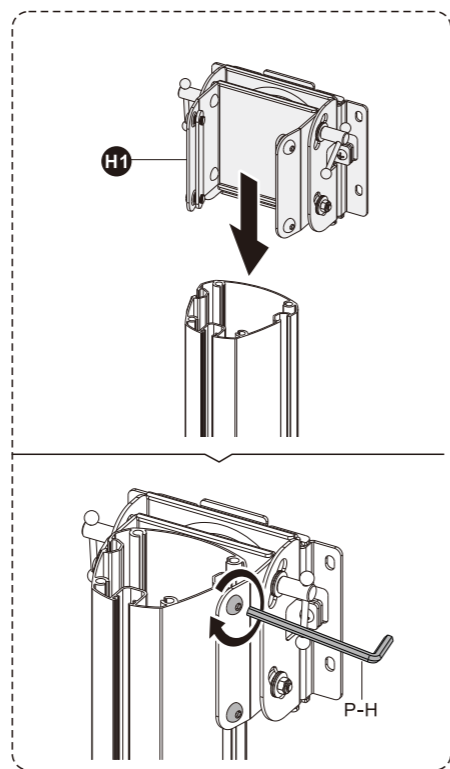
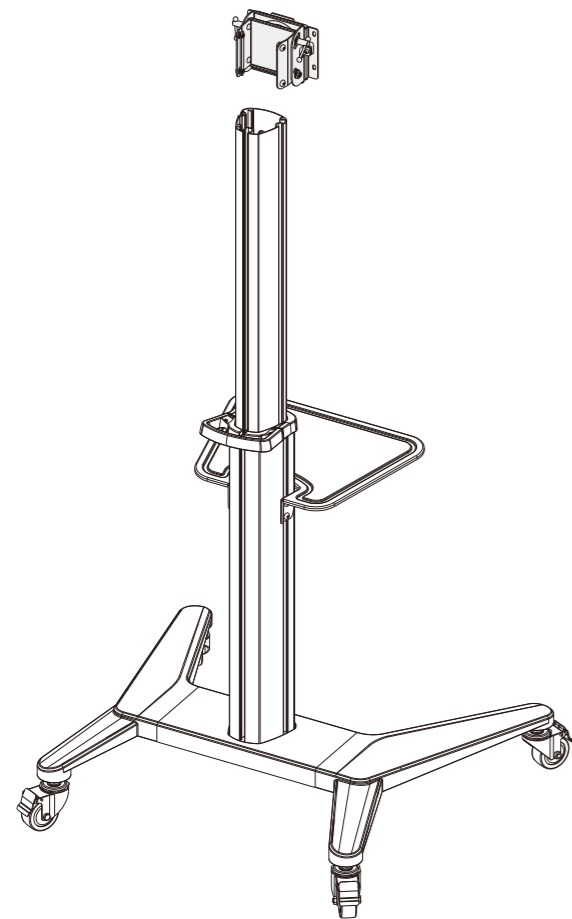
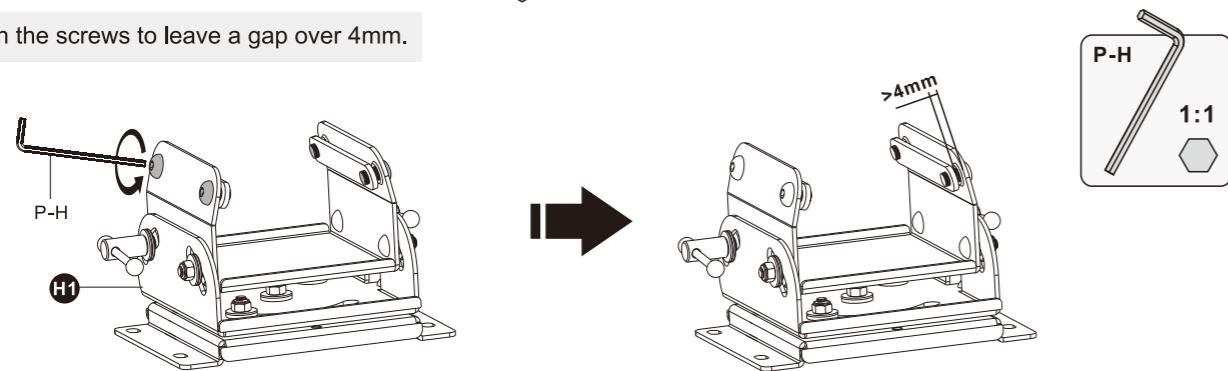
3. Assemble the AV Equipment Shelf



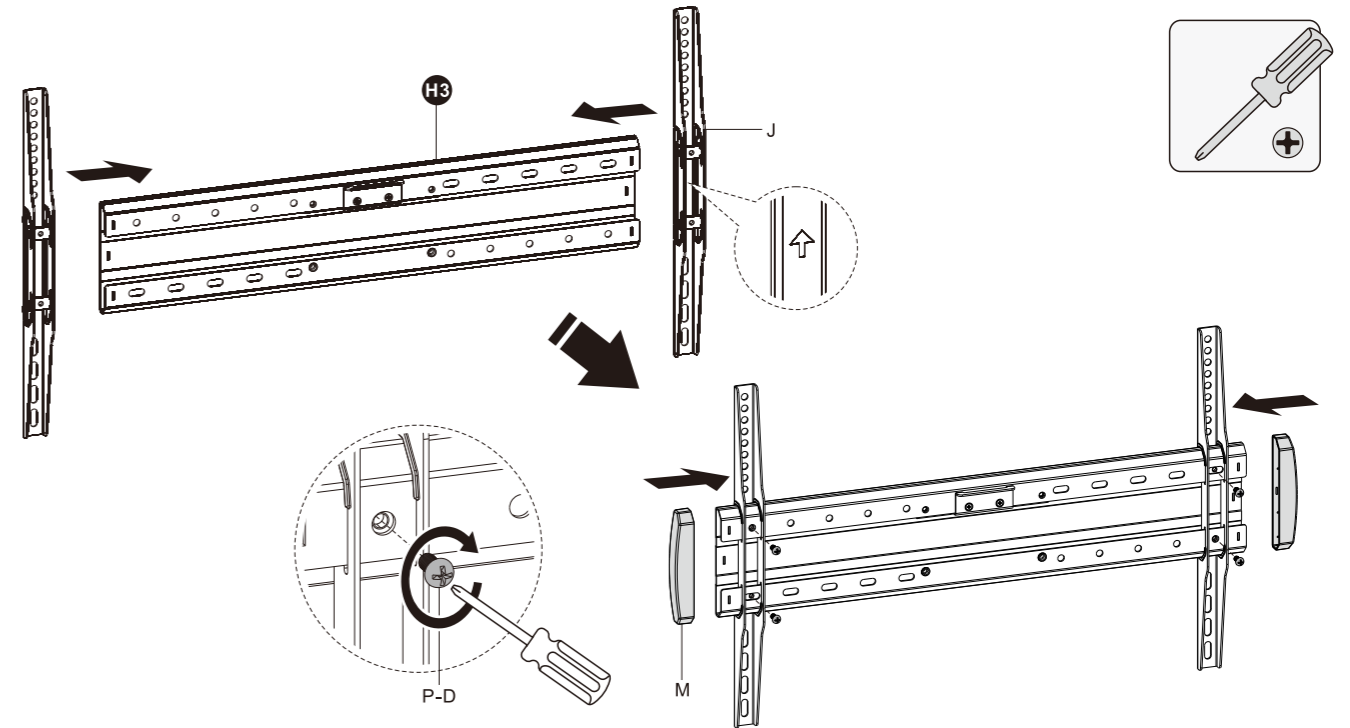
4. Attach the Connector to the Column



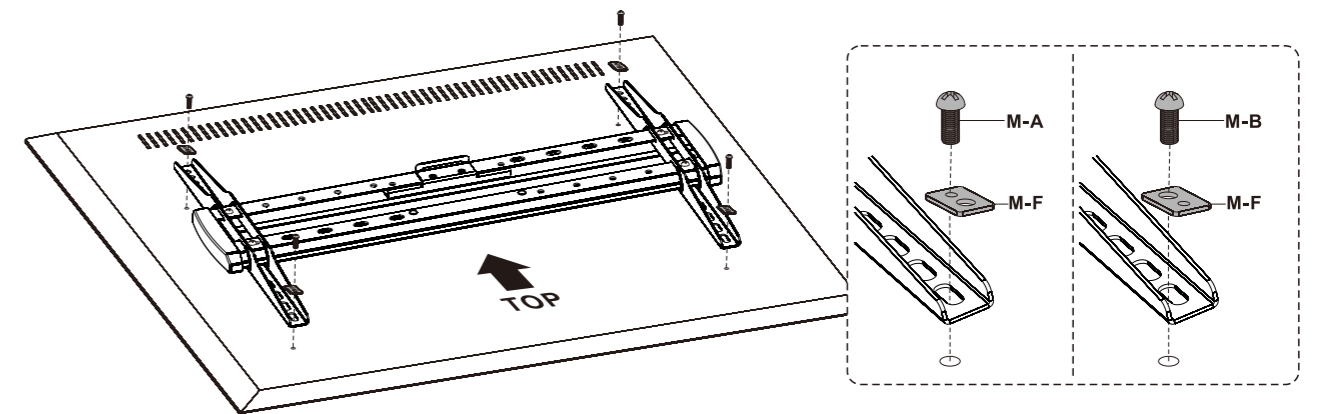
Loosen the screws to leave a gap over 4mm.



5. Attach TV Bracket to the Mounting Plate

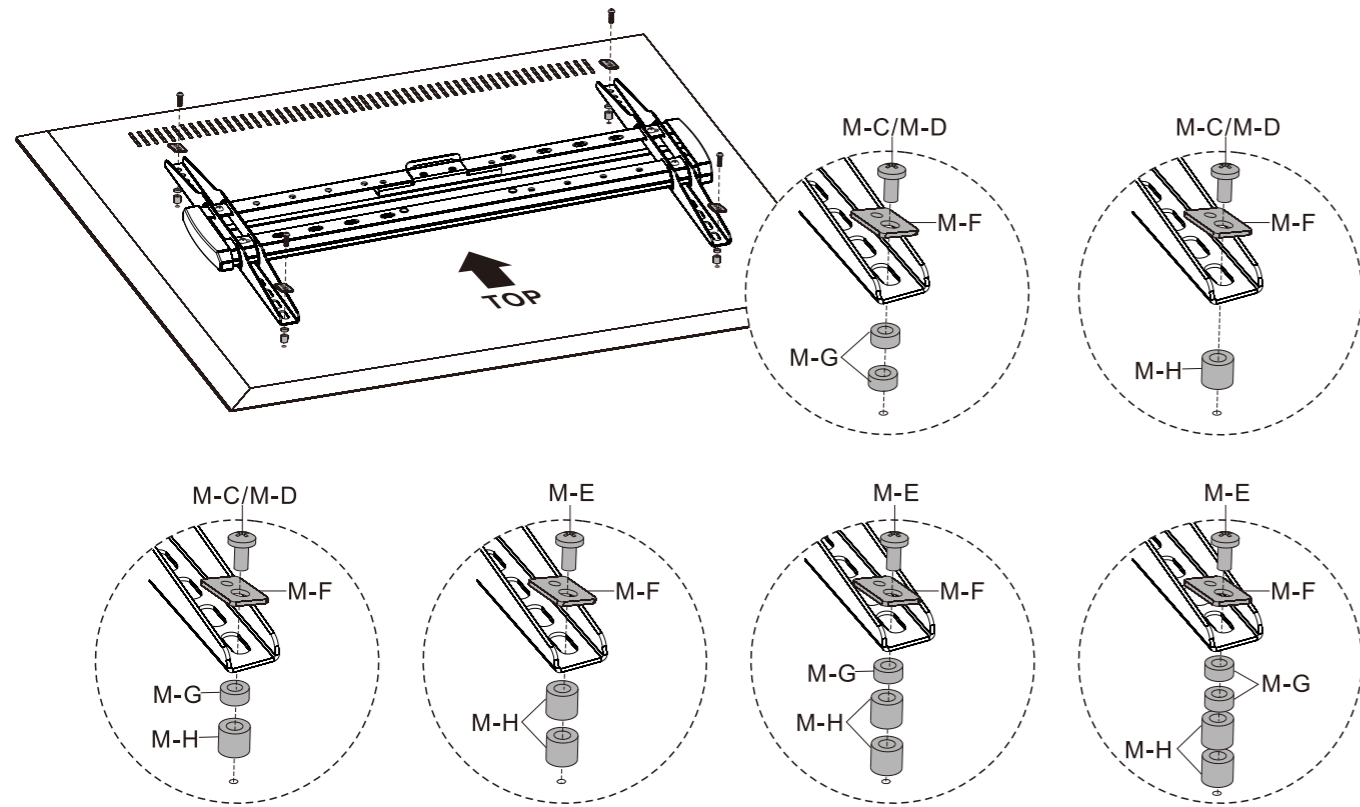
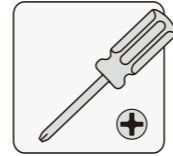
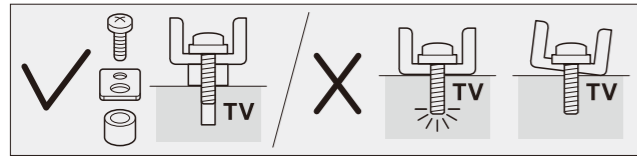


6a. Attach TV Bracket to Flat Back Screen



M-A			M-B		
M-F			1:1		

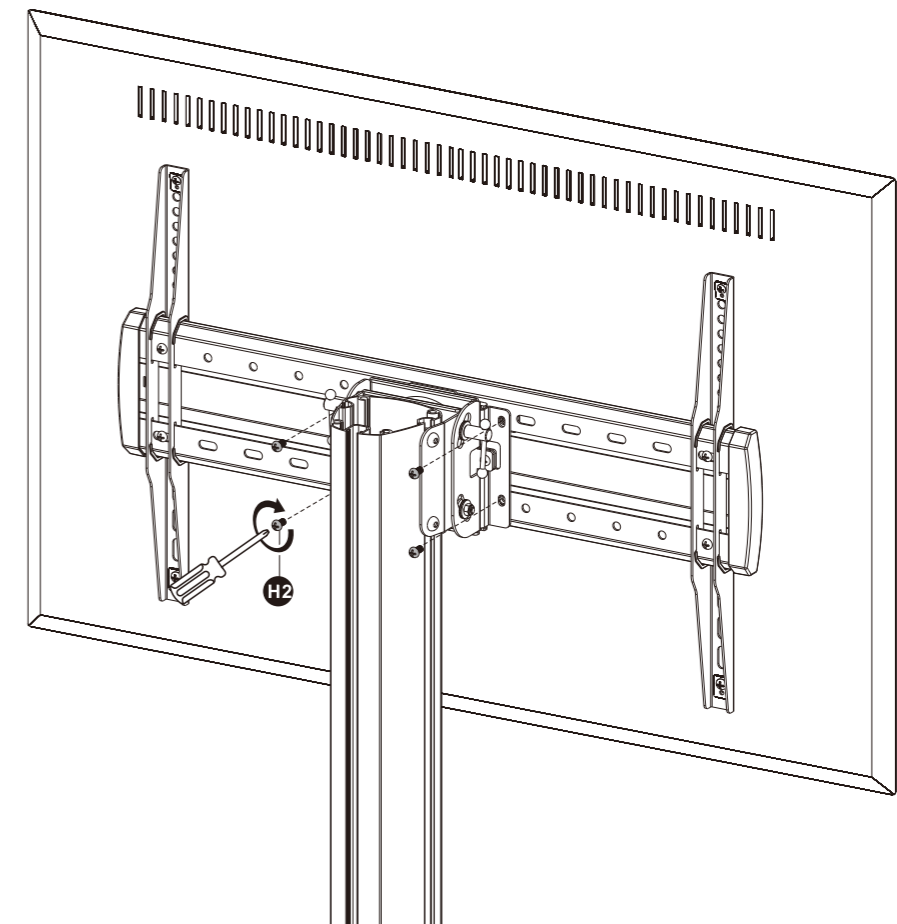
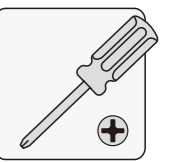
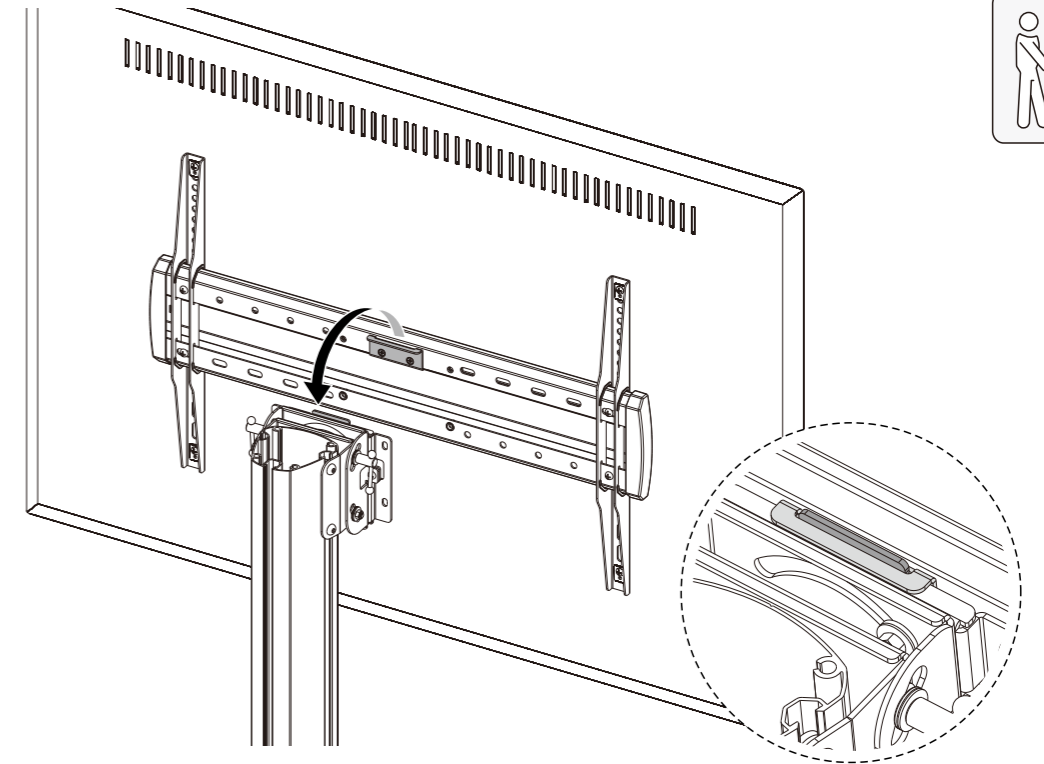
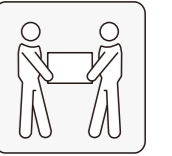
6b. Attach TV Bracket to Irregular Back Screen



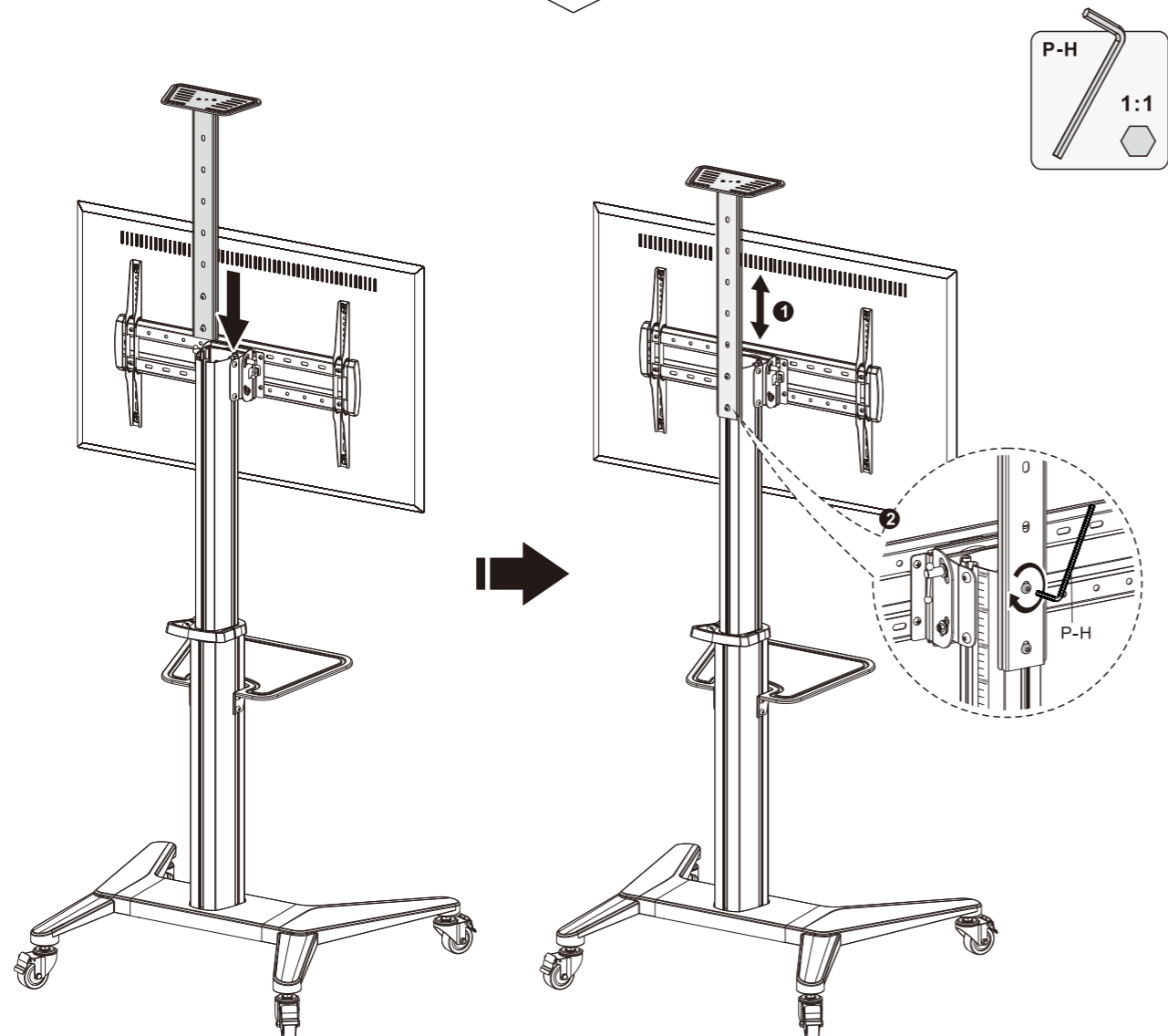
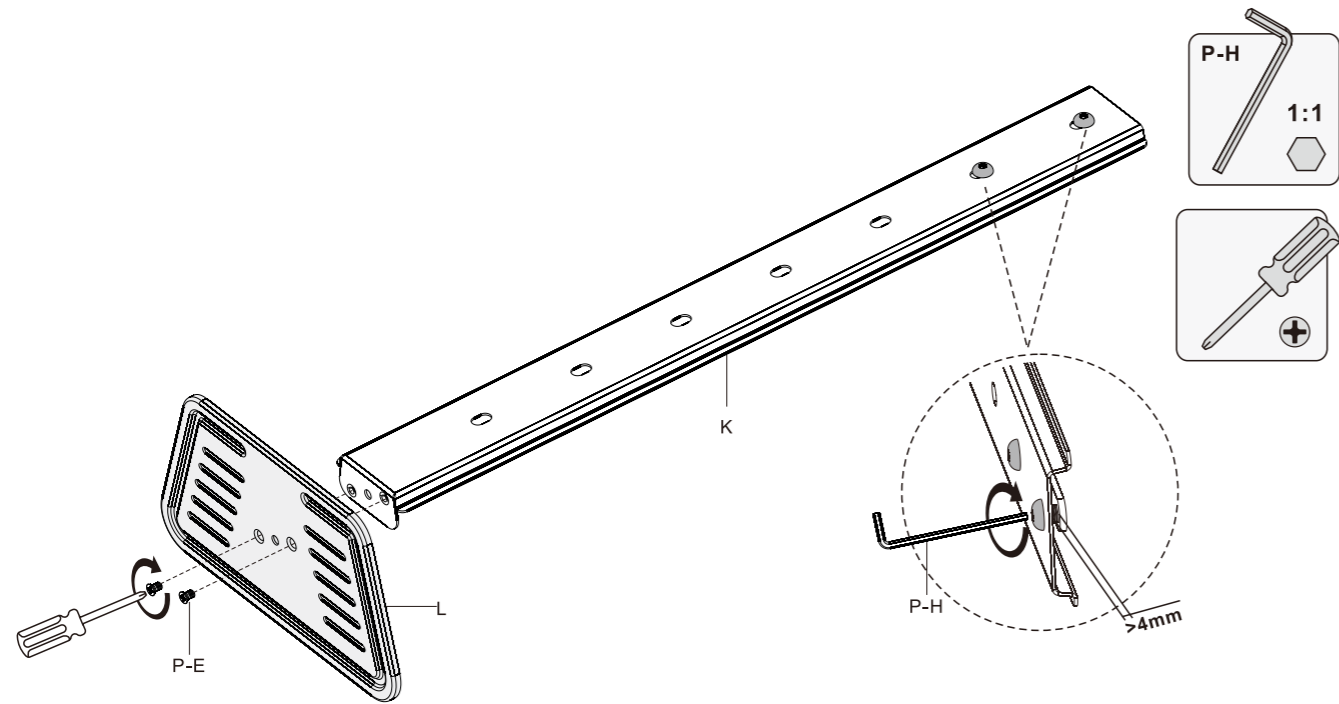
M-C		M-D	
M-E		M-F	
M-G		M-H	

1:1

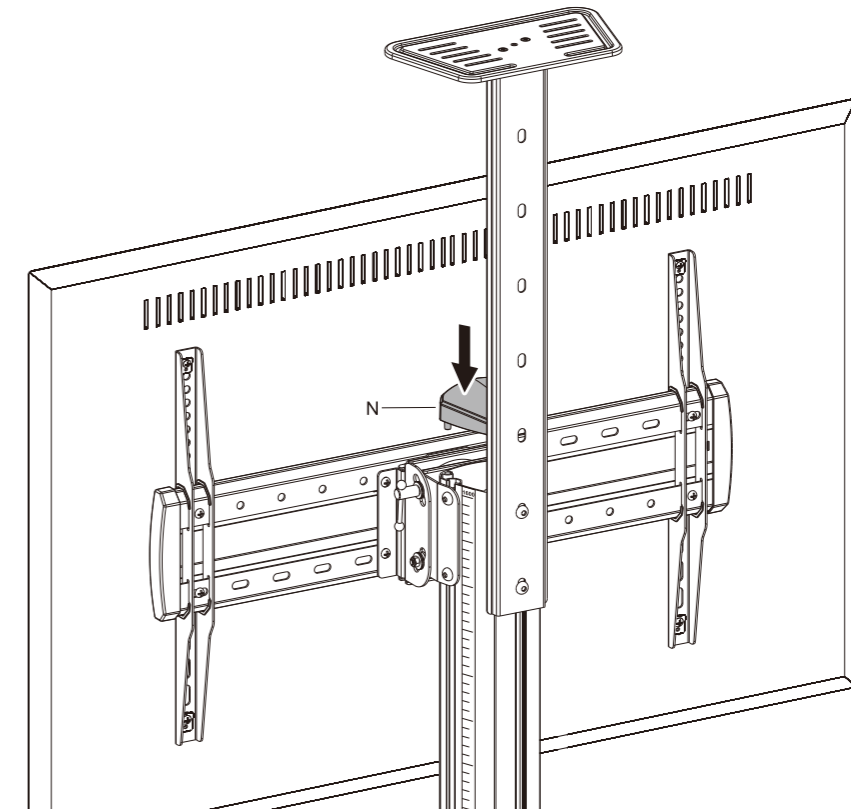
7. Hang and Secure the Screen



8. Assemble the Camera Shelf



9. Assemble the Top Cover



10. Cable Management

