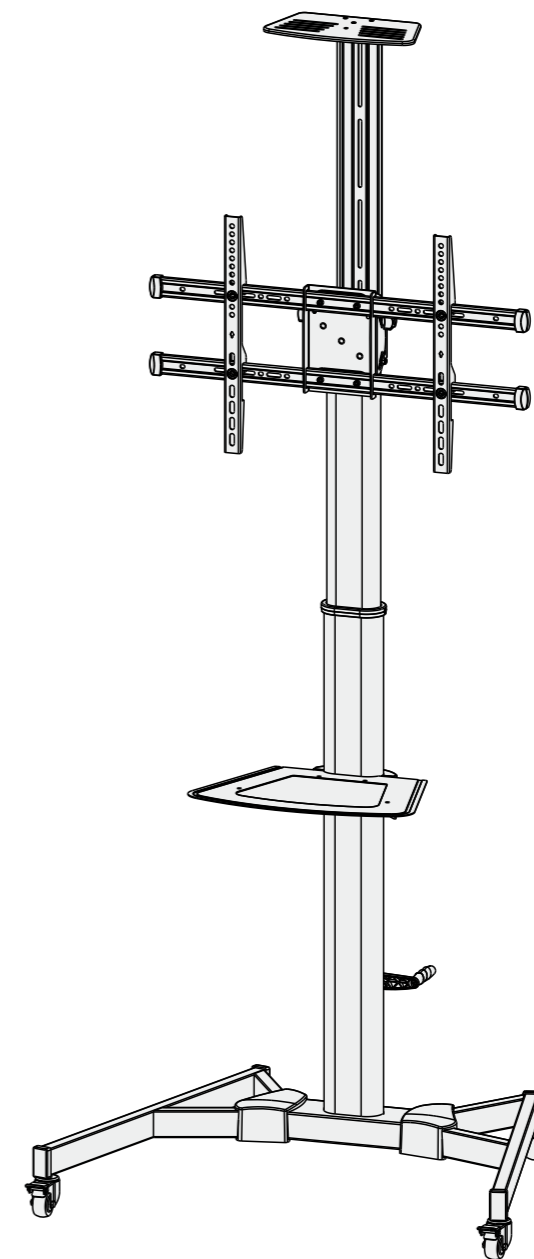


KONIC

Instruction Manual

TV CART



KN-TR1346TW

VESA Compatible
200x200 400x200
300x300 400x400
600x400

70"
MAX
FLAT

**TV
RATED**
50kg/110lbs

**DVD
RATED**
5kg/11lbs

**CAMERA
RATED**
5kg/11lbs

Read the entire instruction manual before you start installation and assembly. If you have any questions regarding any of the instructions or warnings, please contact your local distributor for assistance.

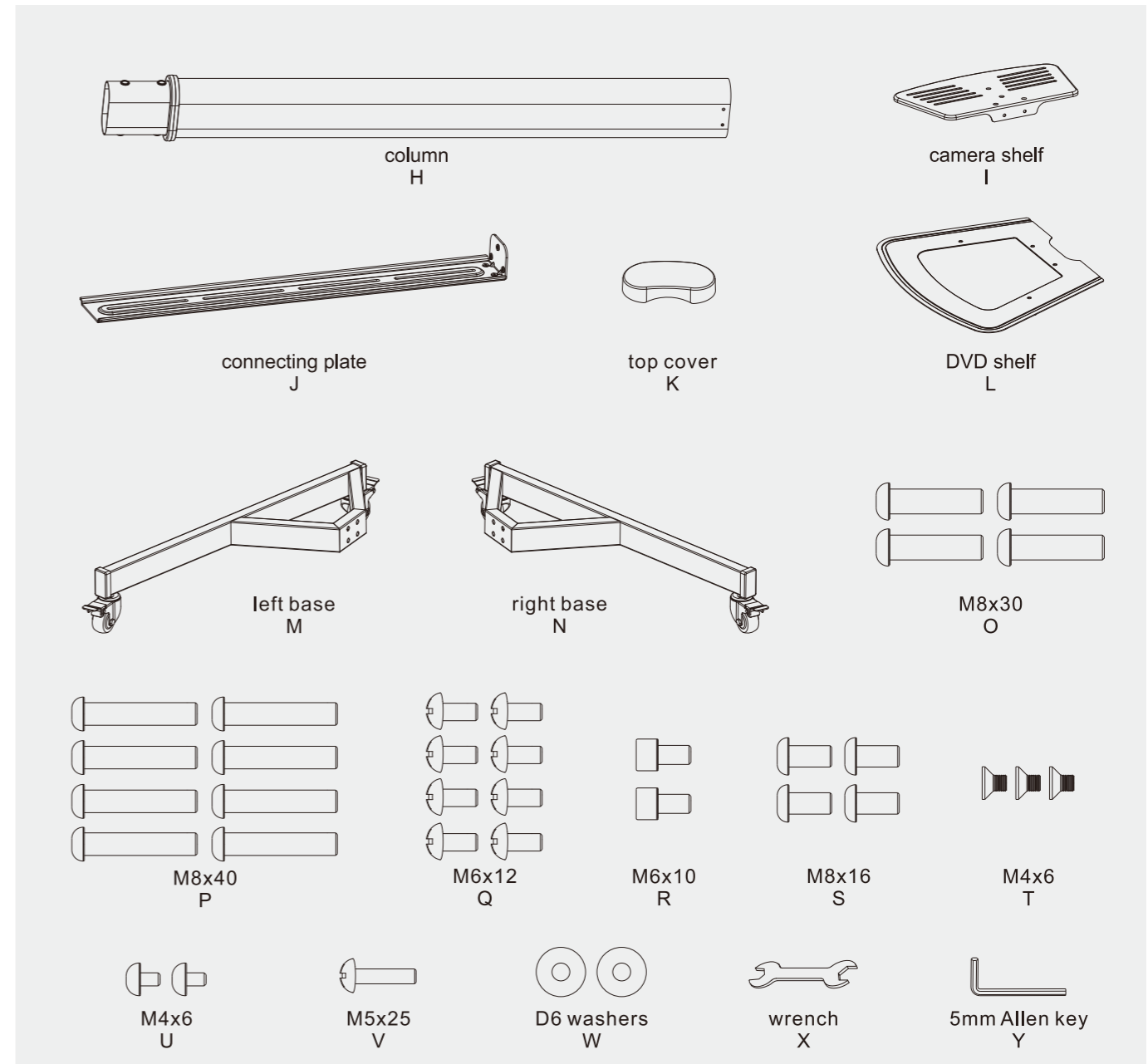
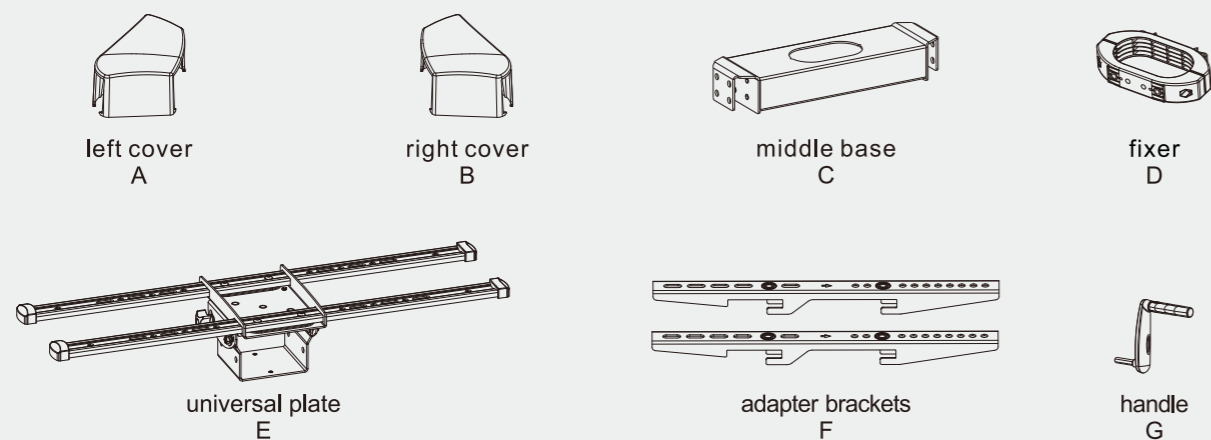
CAUTION

- Use with products heavier than the rated weights indicated may result in instability causing possible injury.
- Please closely follow the assembly instructions. Improper installation may result in damage or serious personal injury.
- Safety gear and proper tools must be used. This product should only be installed by professionals.
- Make sure that the supporting surface will safely support the combined weight of the equipment and all attached hardware and components.
- Use the mounting screws provided and DO NOT OVER TIGHTEN mounting screws.
- This product contains small items that could be a choking hazard if swallowed. Keep these items away from children.
- This product is intended for indoor use only. Using this product outdoors could lead to product failure and personal injury.

Required for Installation

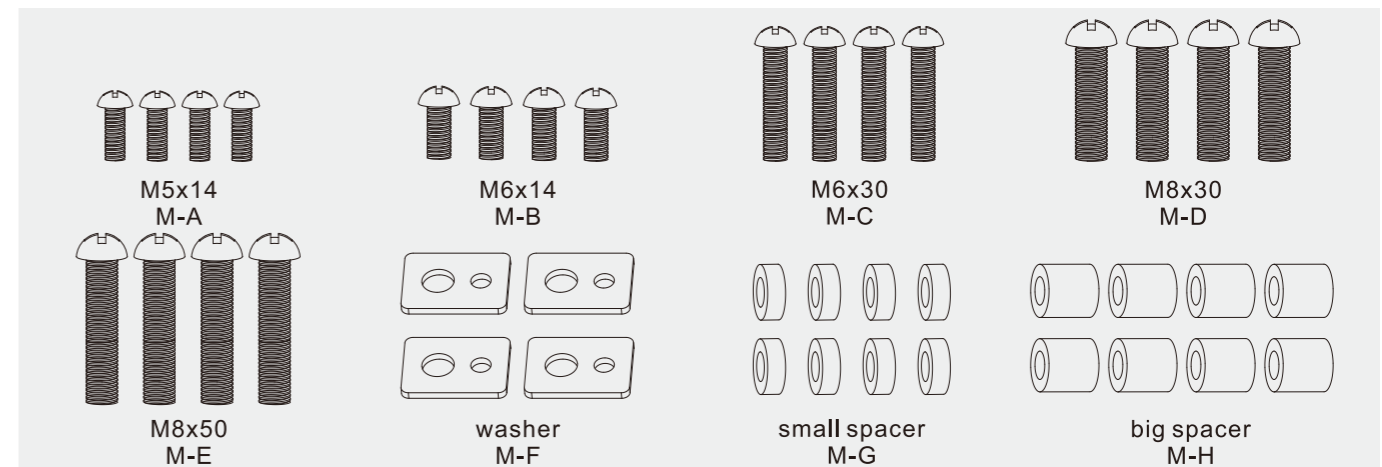


Component Checklist

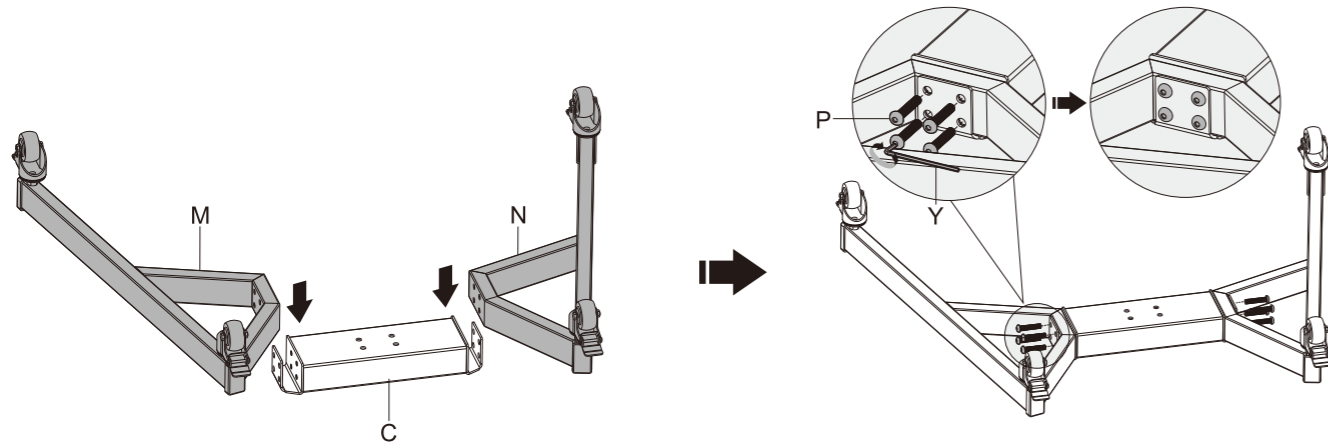


IMPORTANT: Ensure that you have received all parts according to the component checklist prior to installation. If any parts are missing or faulty, contact your place of purchase for a replacement.

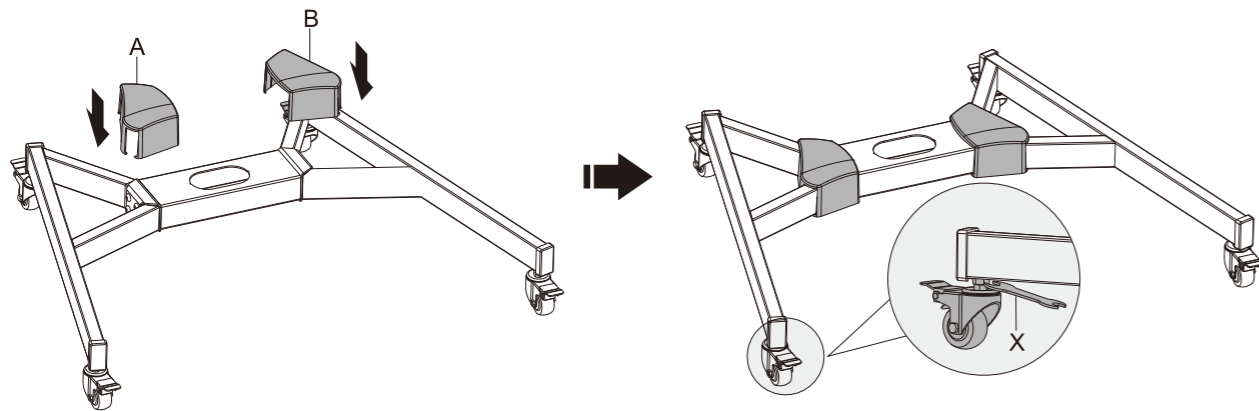
Package M



1. Assembling the Base

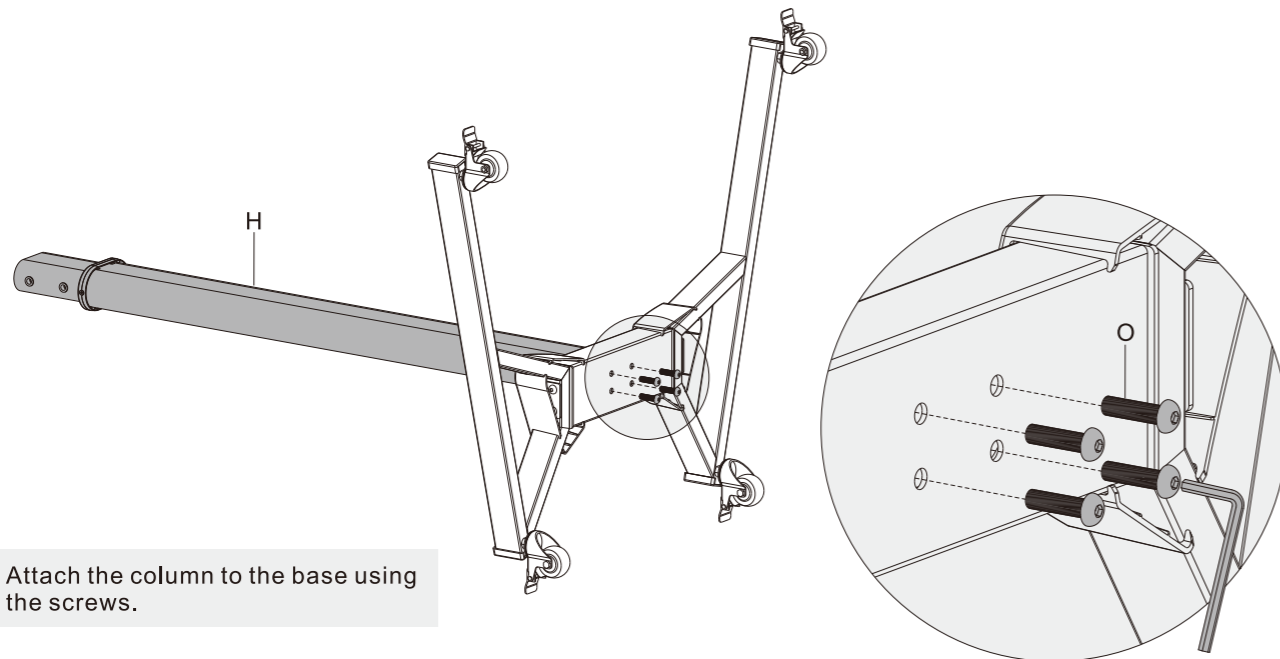


Attach the right base to the middle base and secure with screws(P). Repeat this step for the left base.



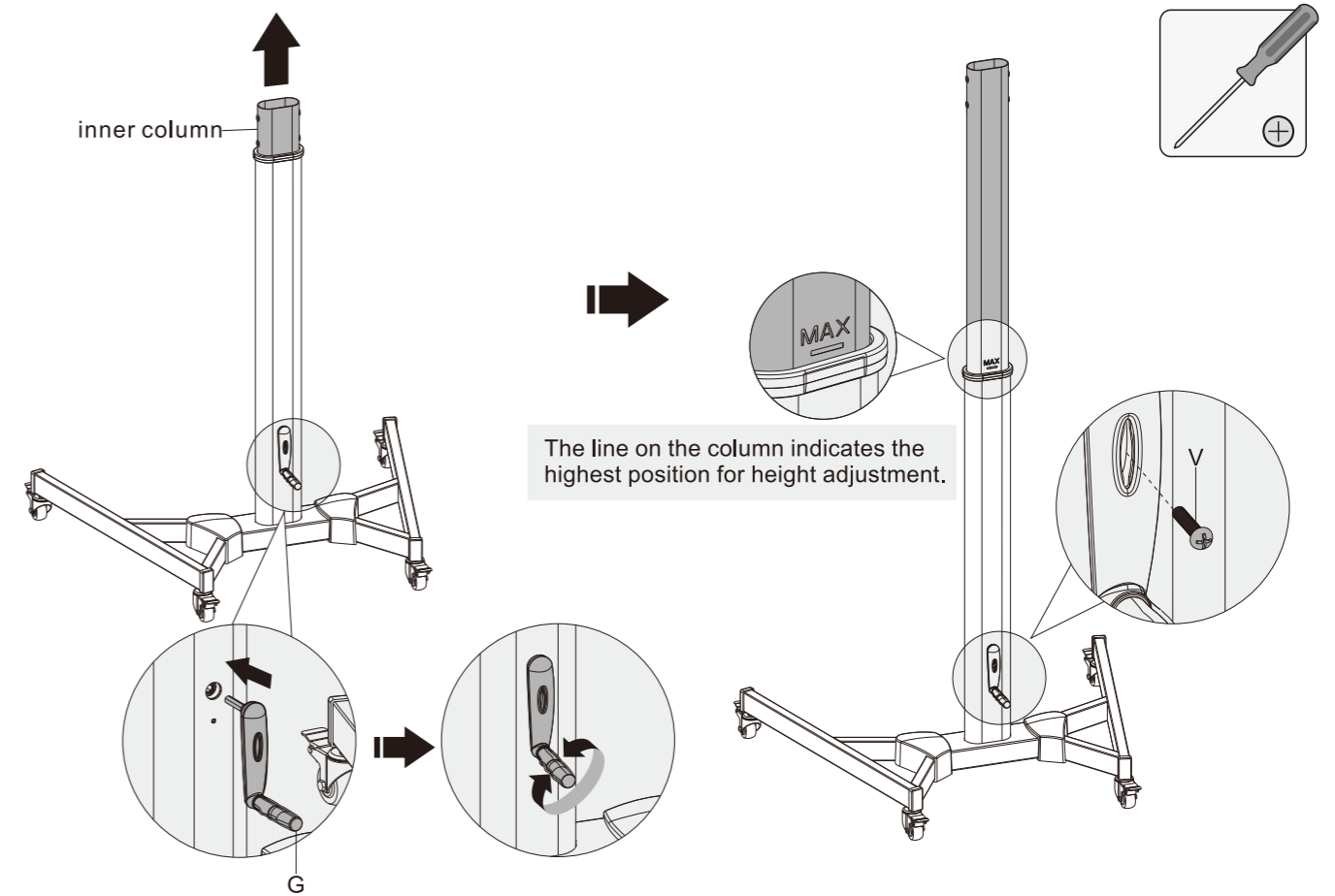
NOTE: Lock the brakes on the casters to avoid any sudden movements during installation.
Each caster can be adjusted independently for fine tuning adjustments. Slightly turn the nut to lower or raise the base.

2. Attaching the Column to the Base



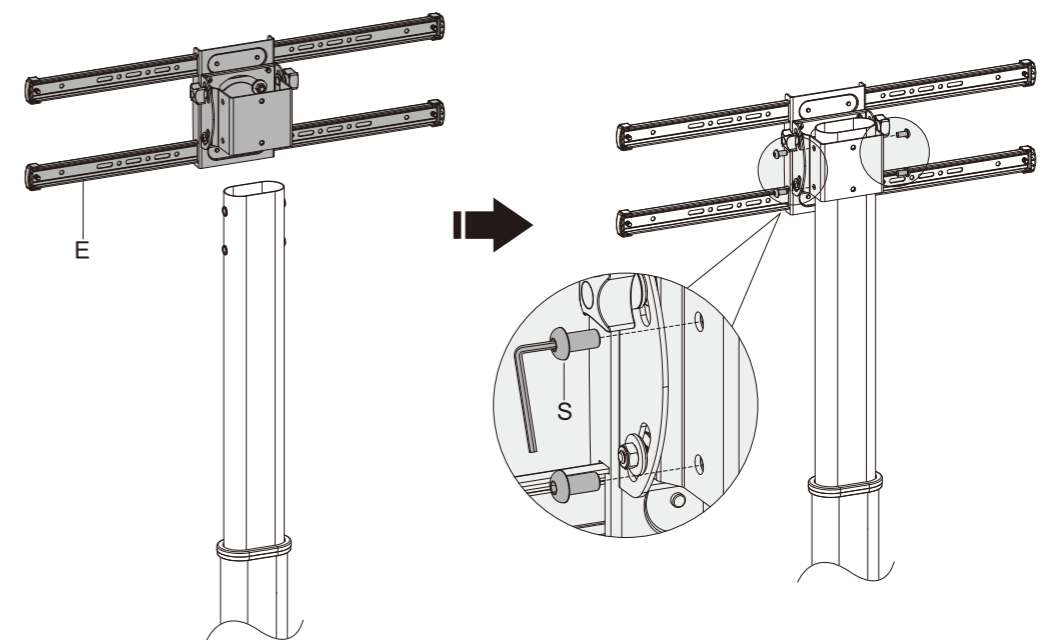
Attach the column to the base using the screws.

3. Adjusting the Column



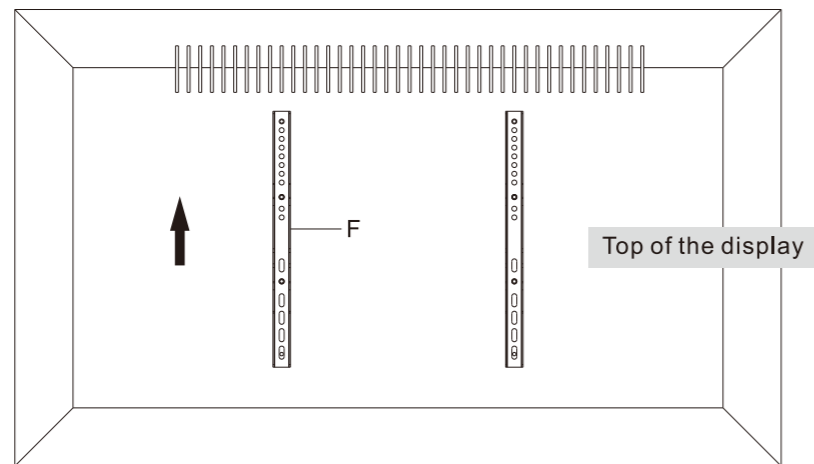
Turn the handle clockwise to raise the column.
Turn the handle anticlockwise to lower the column.
Use the handle to adjust the column to the desired height and secure using the appropriate screw.

4. Attaching the Universal Plate to the Column

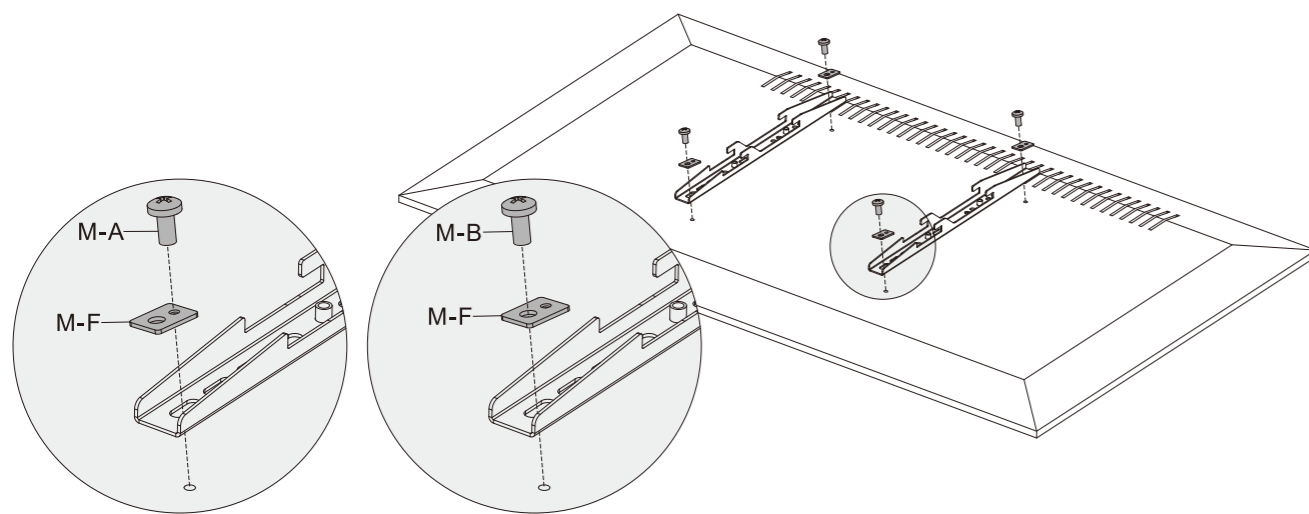
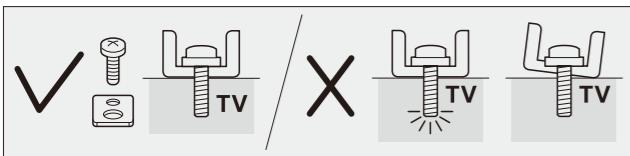


Attach the universal plate to the column using the appropriate screws.

5. Installing the Adapter Brackets

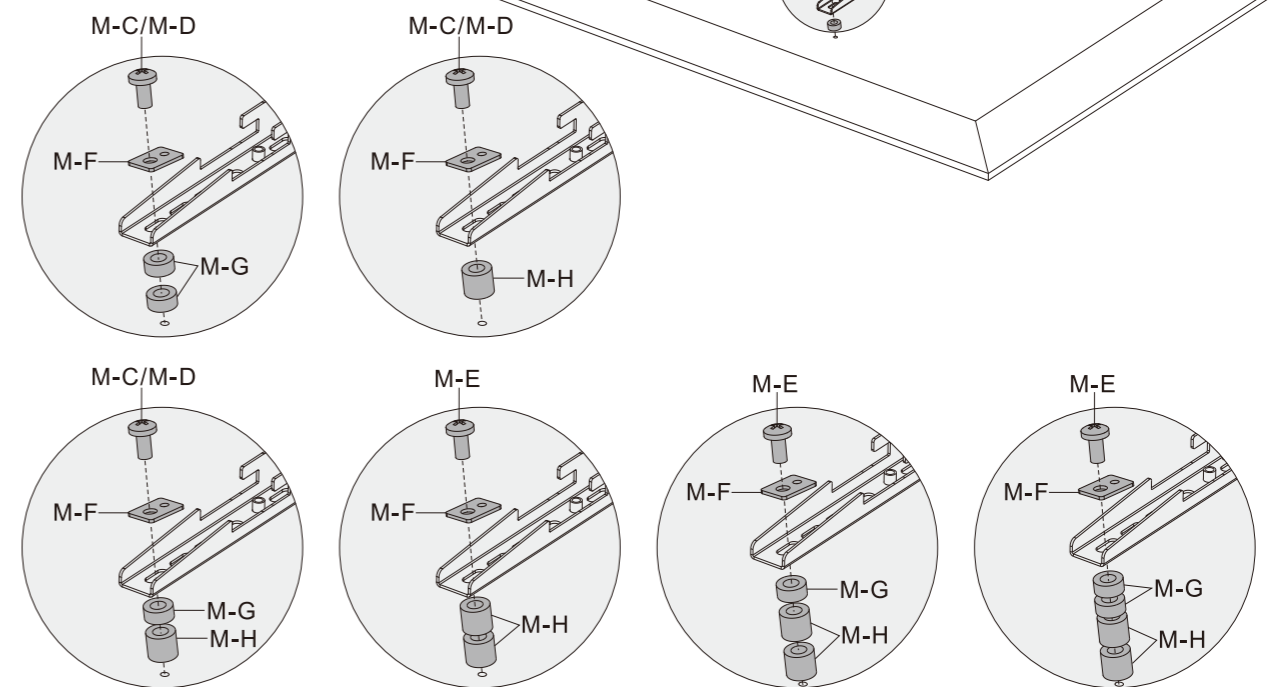
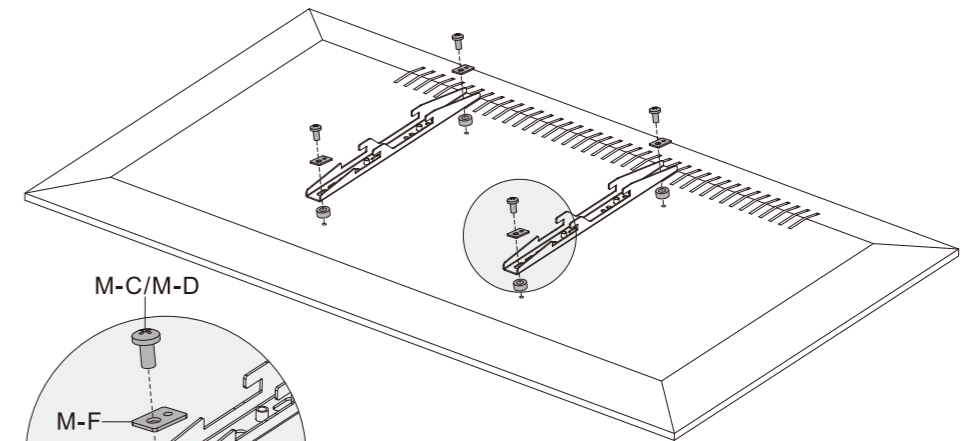
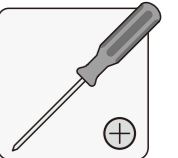


5a. For Flat Back Screens



M-A			M-B		
M-F					

5b. For Screens with Irregular Back

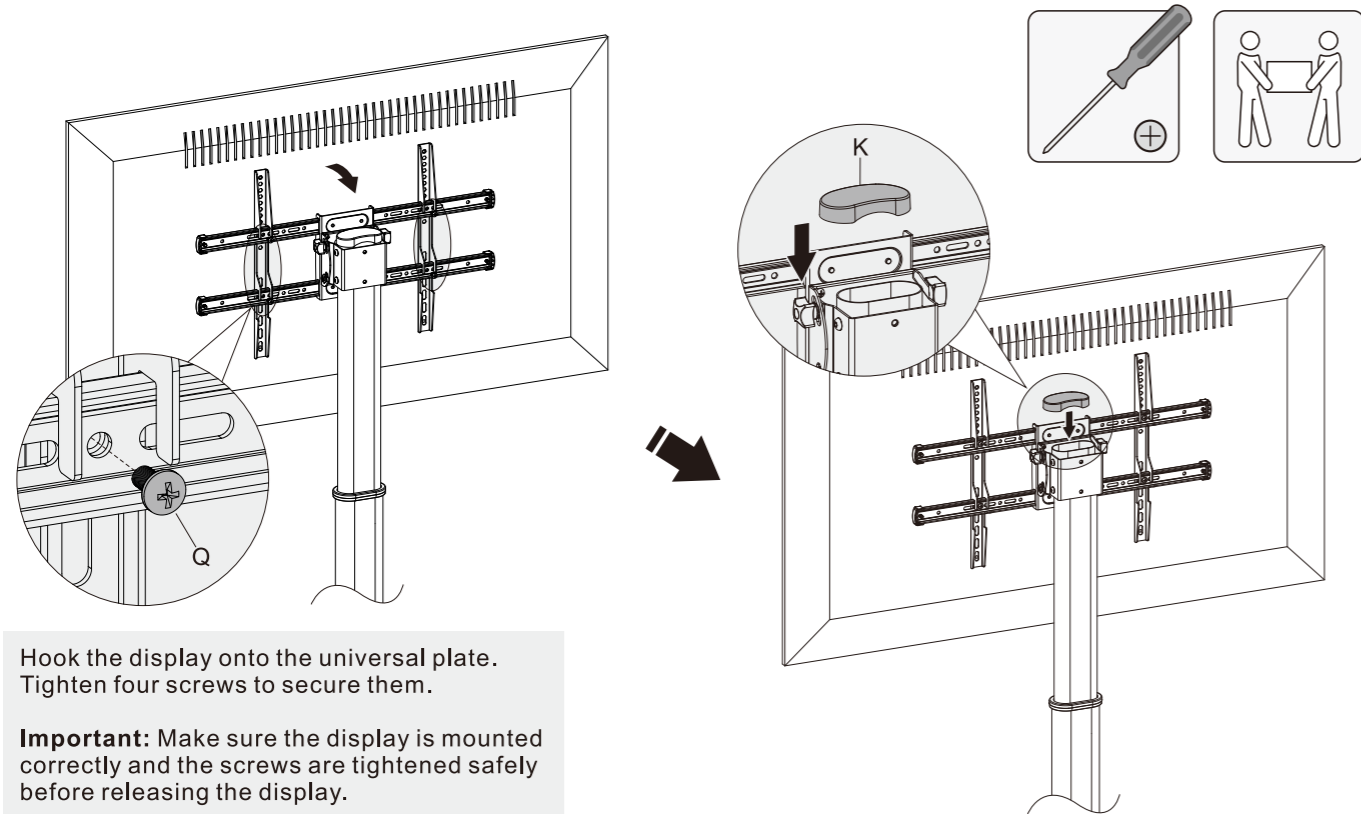


M-C			M-D		
M-E			M-F		
M-G			M-H		

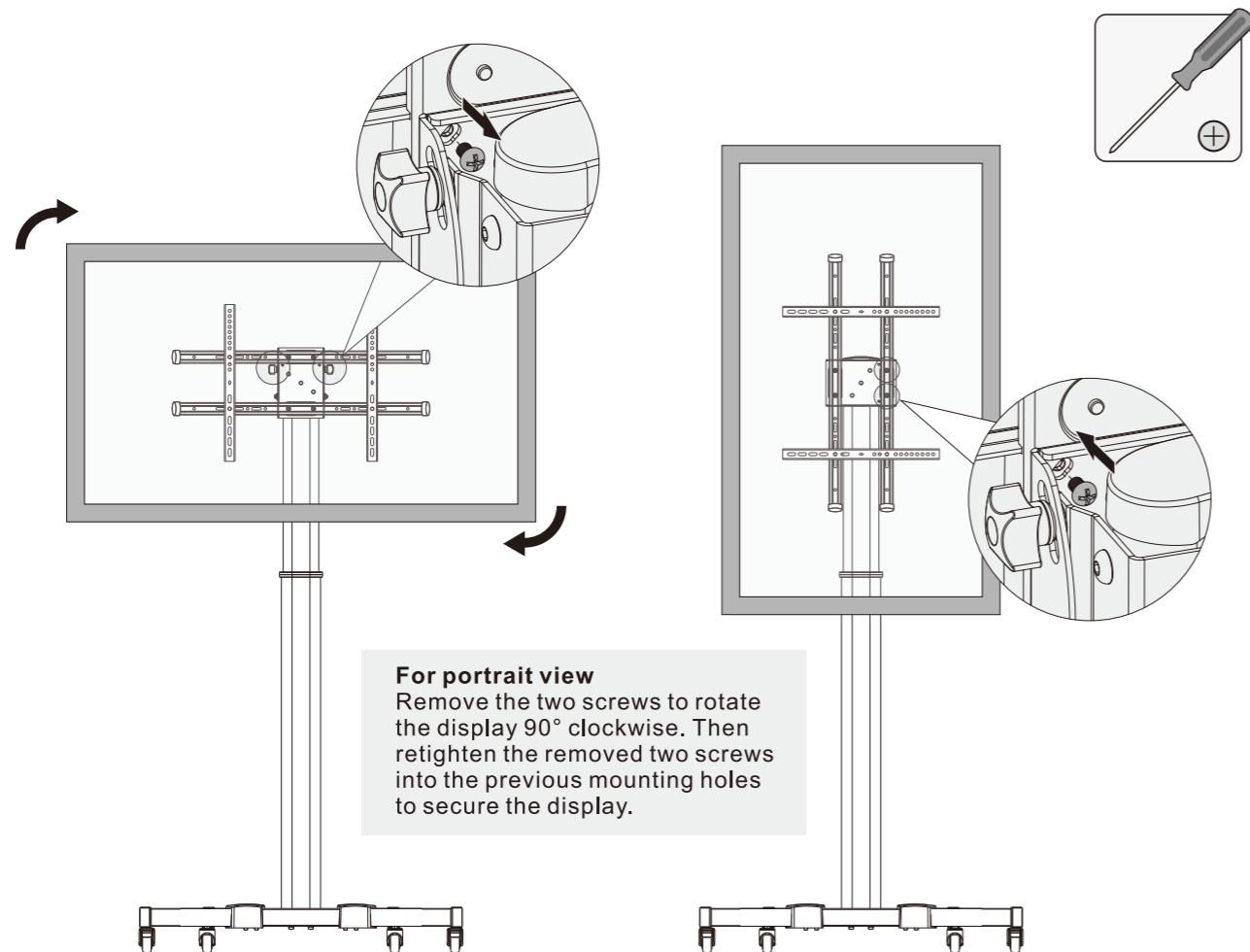
Note: Choose the appropriate screws, washers and spacers (if necessary) according to the type of screen.
 • Position the adapter brackets as close as possible to the center of the display.
 • Screw the adapter brackets onto the display.

⚠ Tighten all screws but do not over tighten.

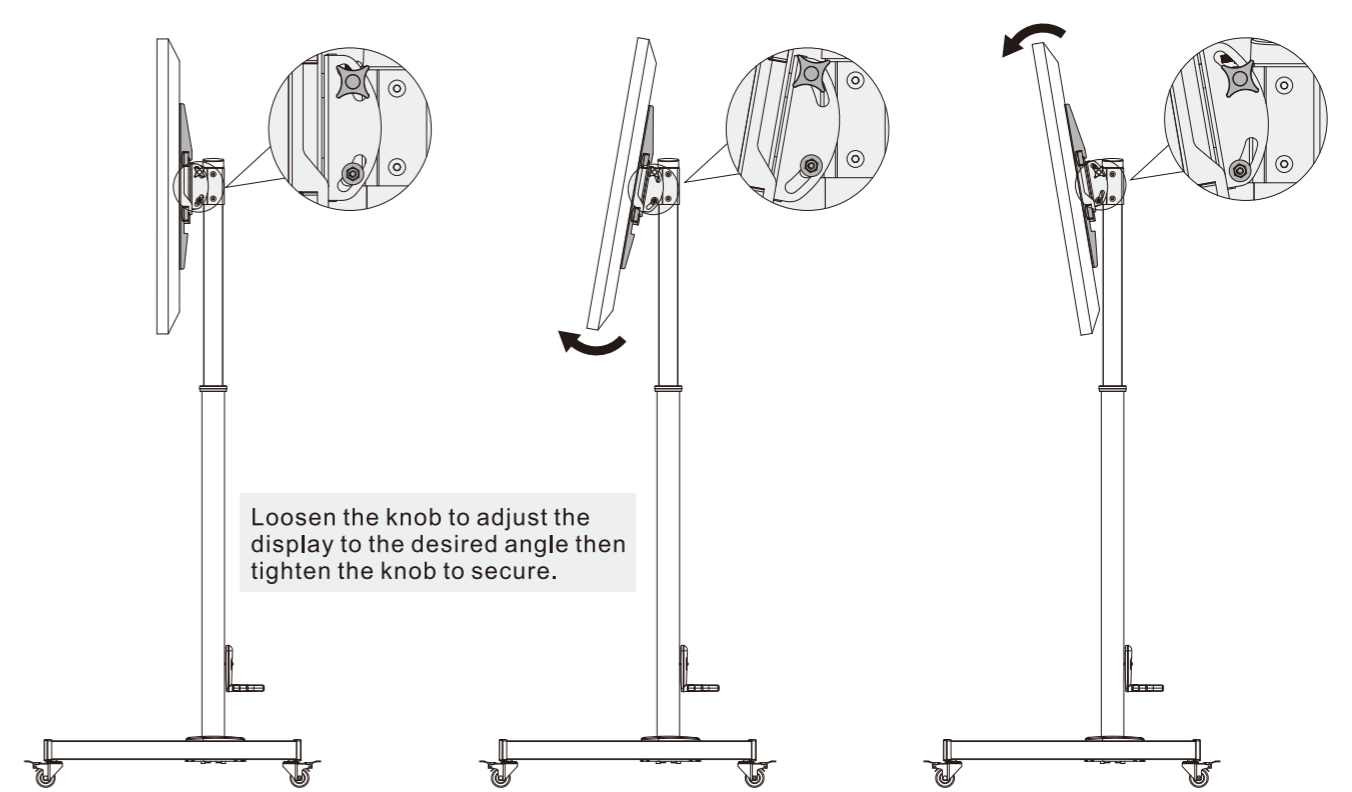
6. Hanging the Display onto the Universal Plate



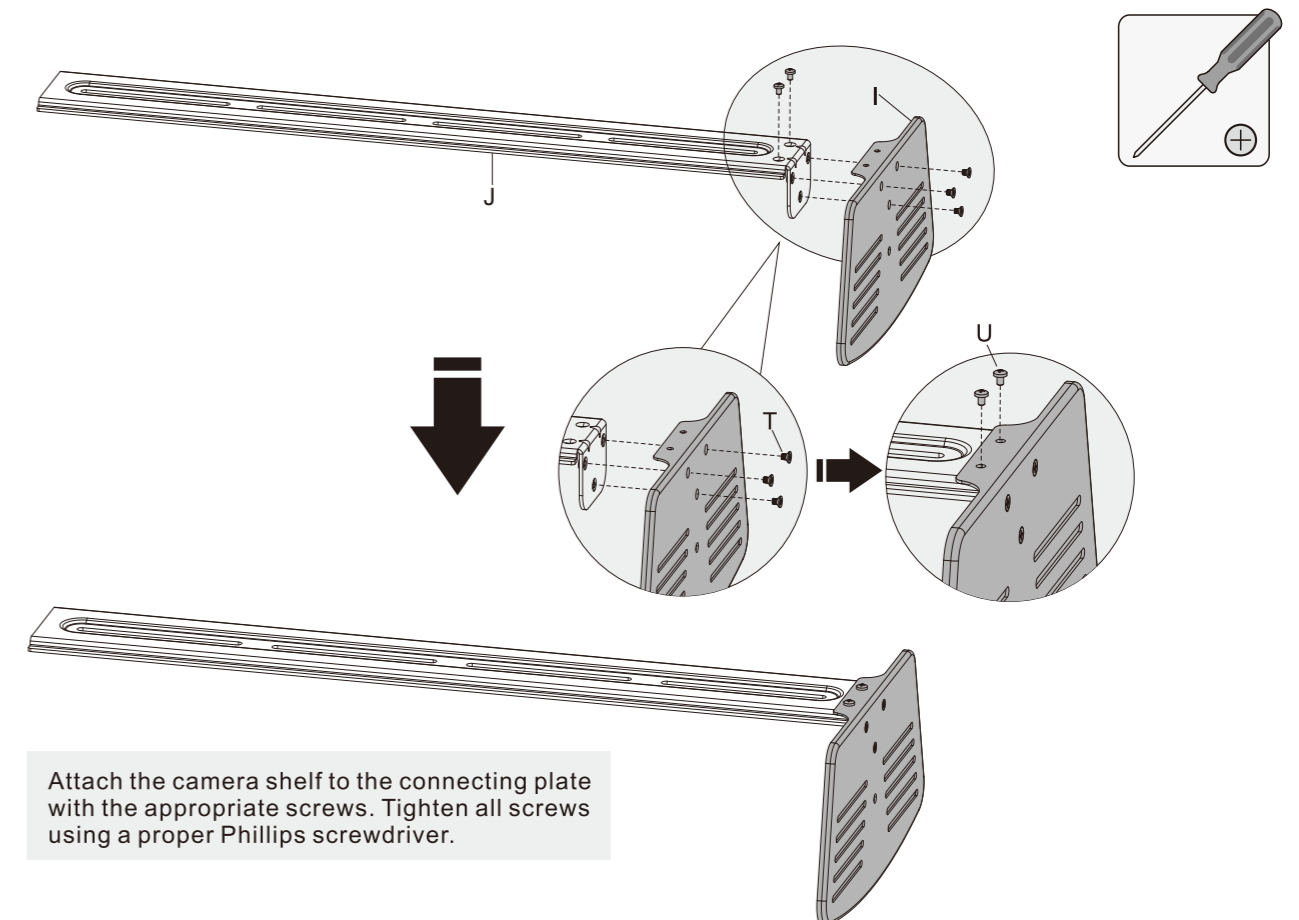
7. For Landscape or Portrait View



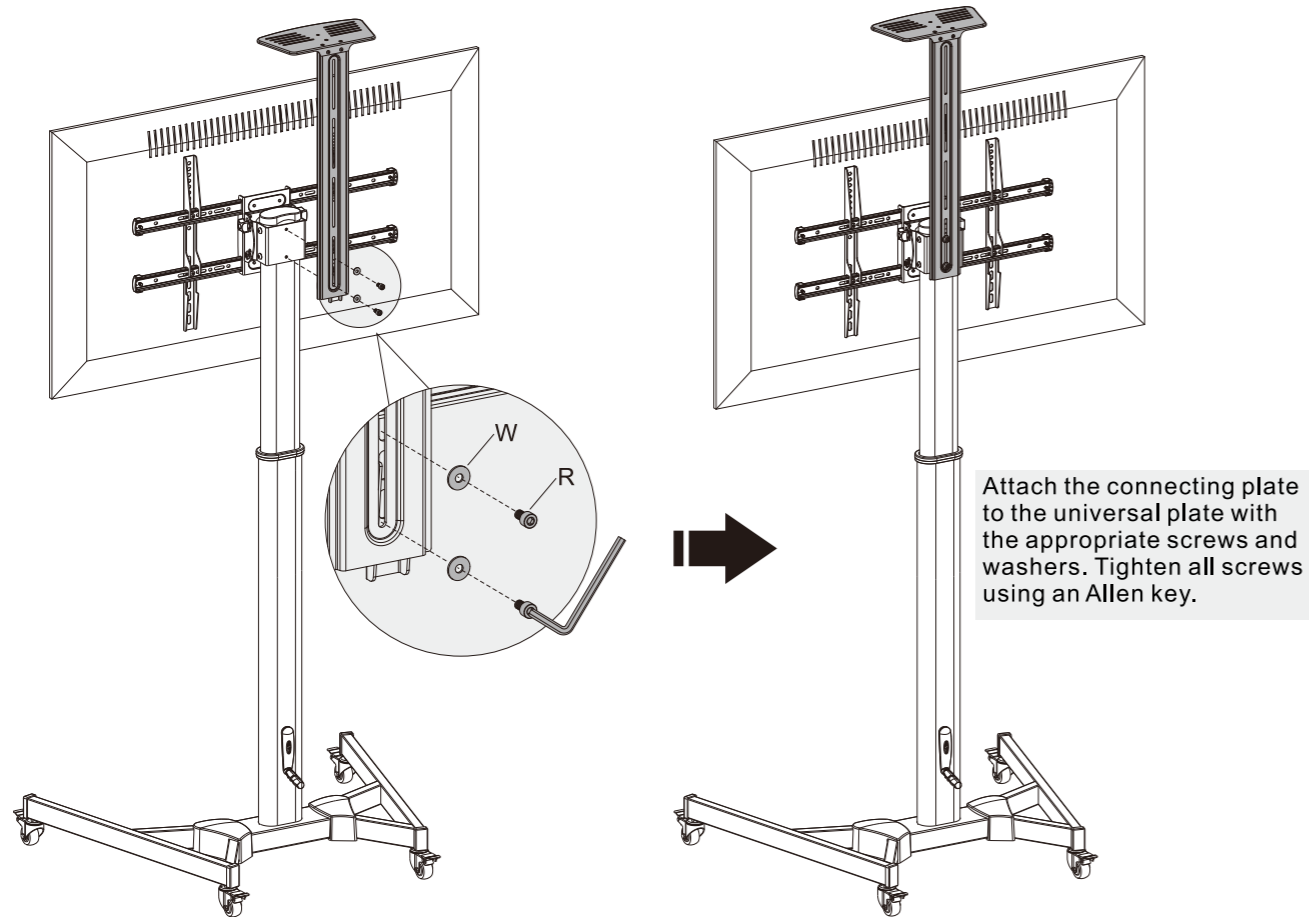
8. Angle Adjustment



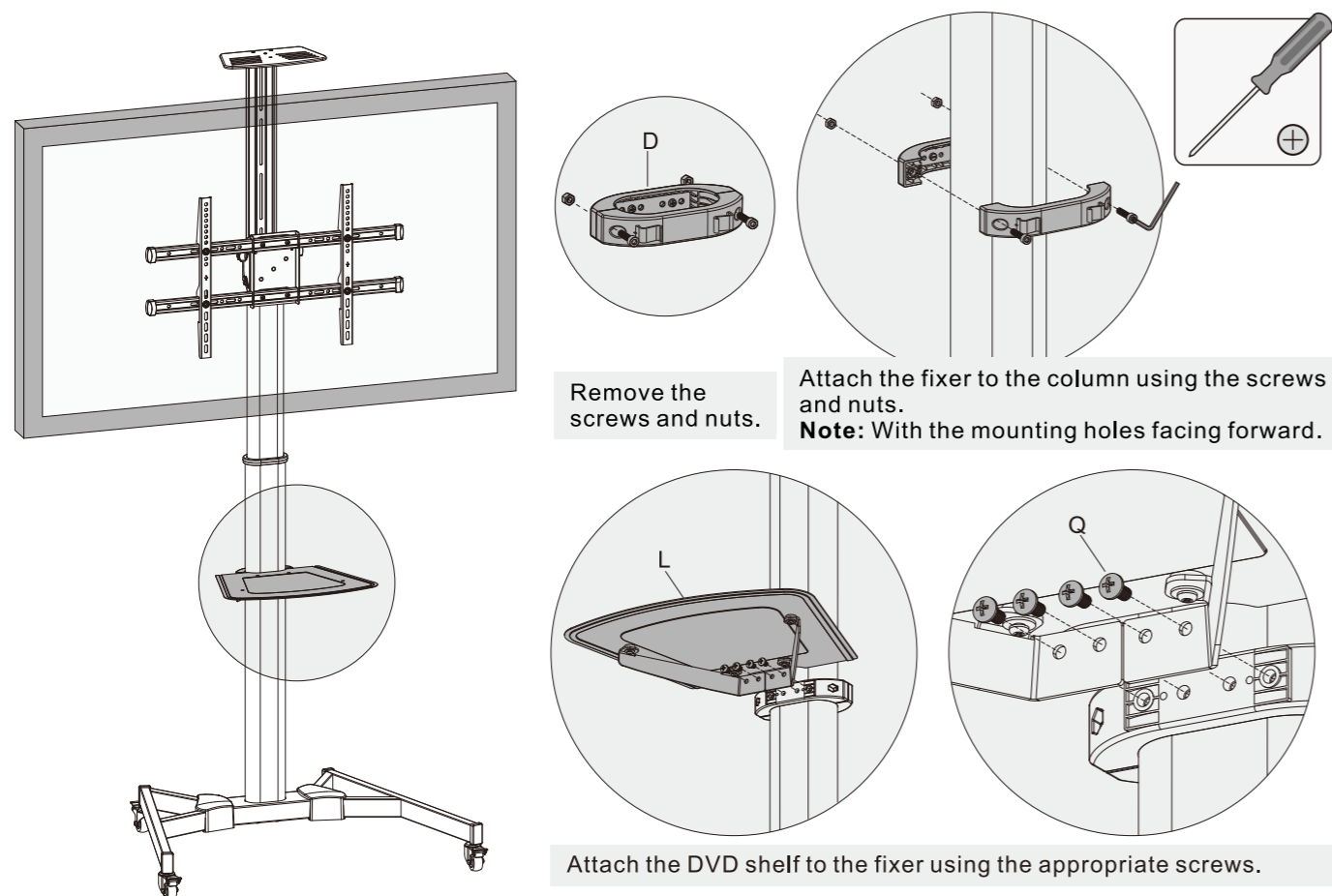
9. Installing the Camera Shelf



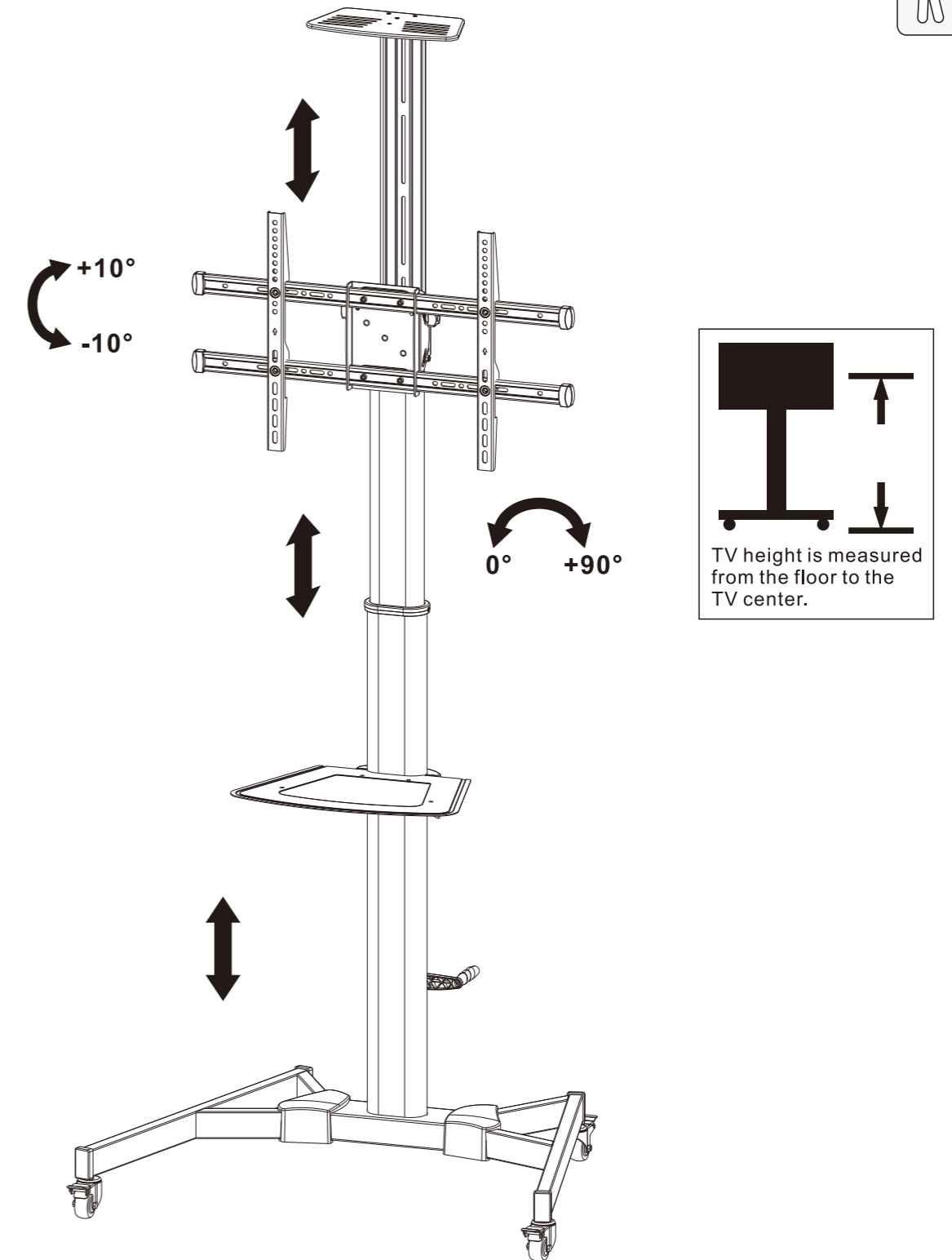
10. Installing the DVD Shelf



10. Installing the DVD Shelf



11. Adjustment



Note: It is recommended to adjust the column to the desired height before installing the display.

Maintenance

- Check if the bracket is secure and safe to use at regular intervals(at least every three months).
- Please contact your distributor if you have any questions.