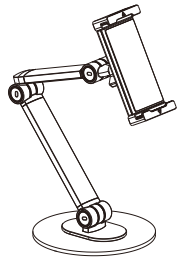
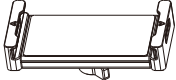

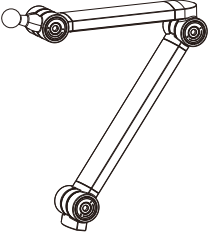

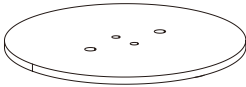




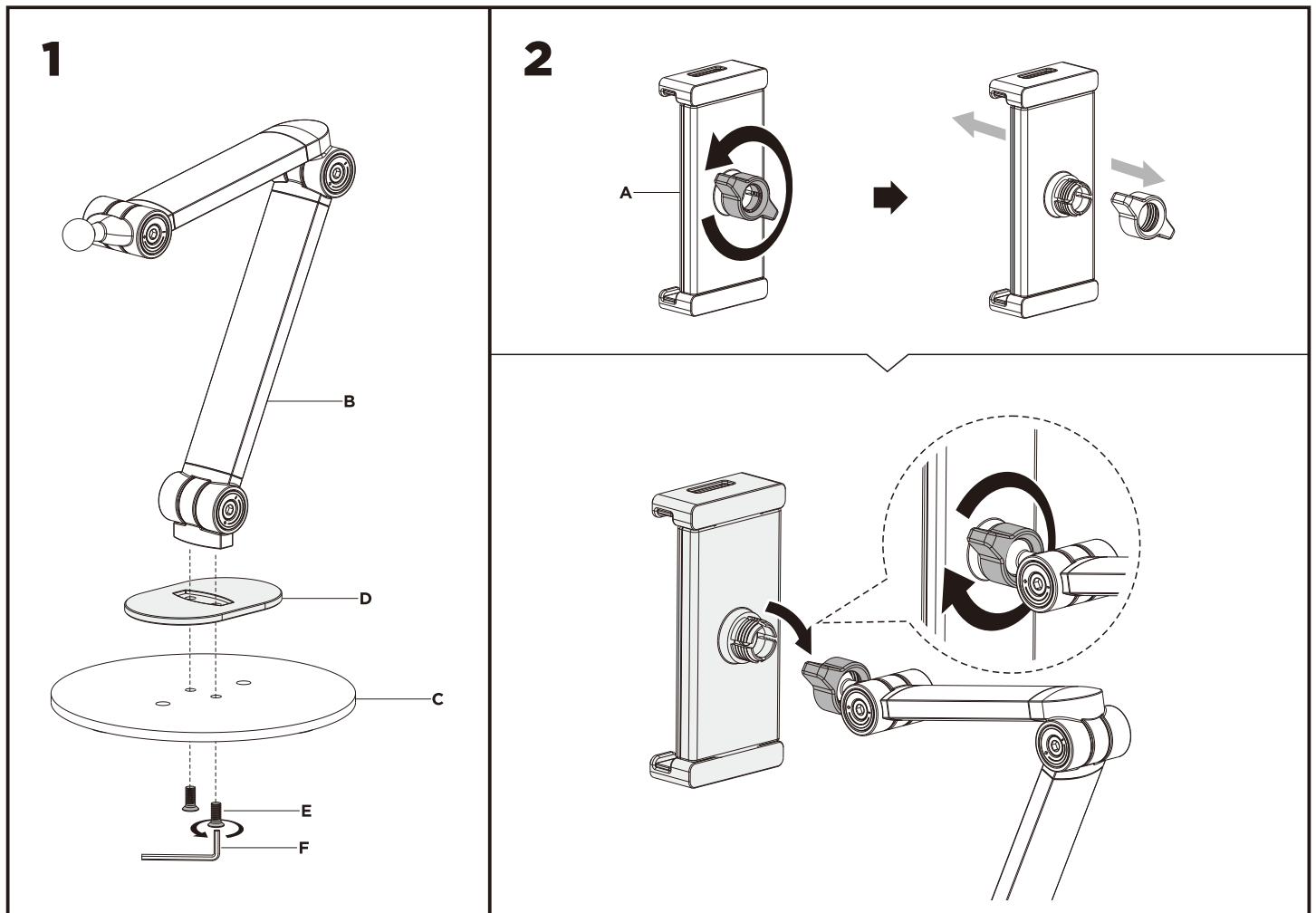
KONIC

Installation Instruction

KAD-C02

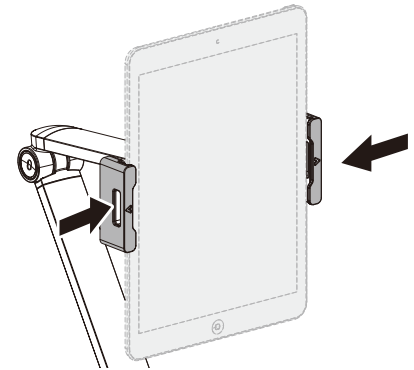
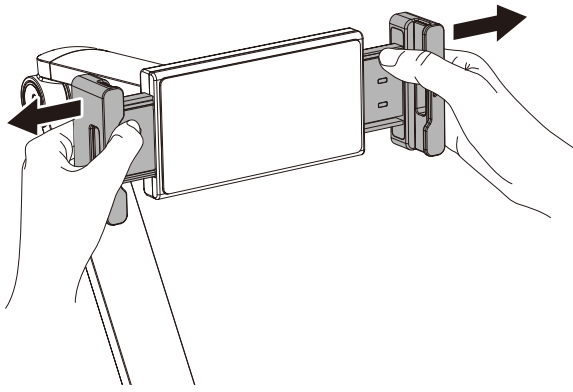


ITEM	DESCRIPTION	QUANTITY	ITEM	DESCRIPTION	QUANTITY
A	 clamp	1	D	 plate	1
B	 pole	1	E	 M5x12	2
C	 base	1	F	 3mm allen key	1
			G	 5mm allen key	1

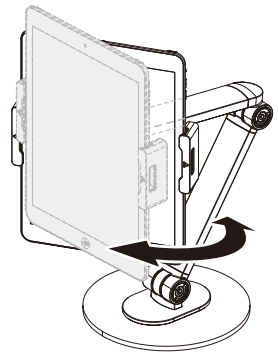
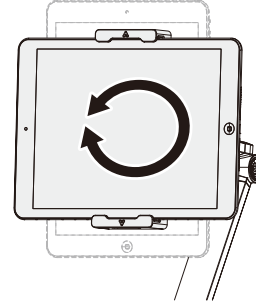
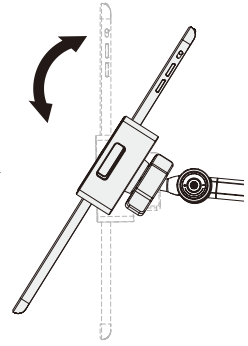
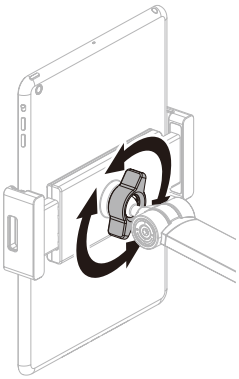


3

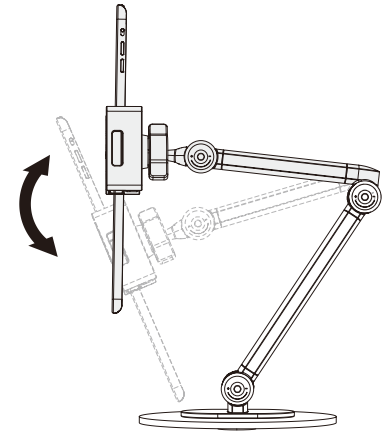
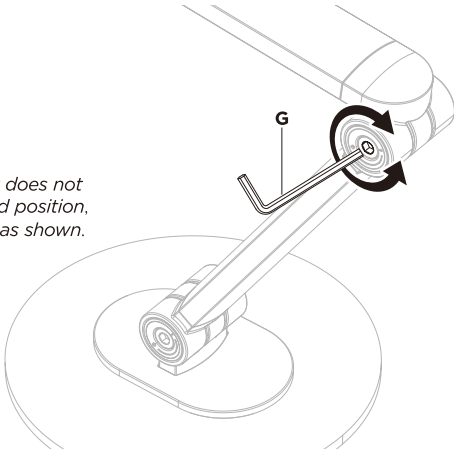
for 4.7"-12.9" Tablets & Phones



4



Note: If the display does not stop at your desired position, tighten the screws as shown.



Note: If the display does not stop at your desired position, tighten the screws as shown.

